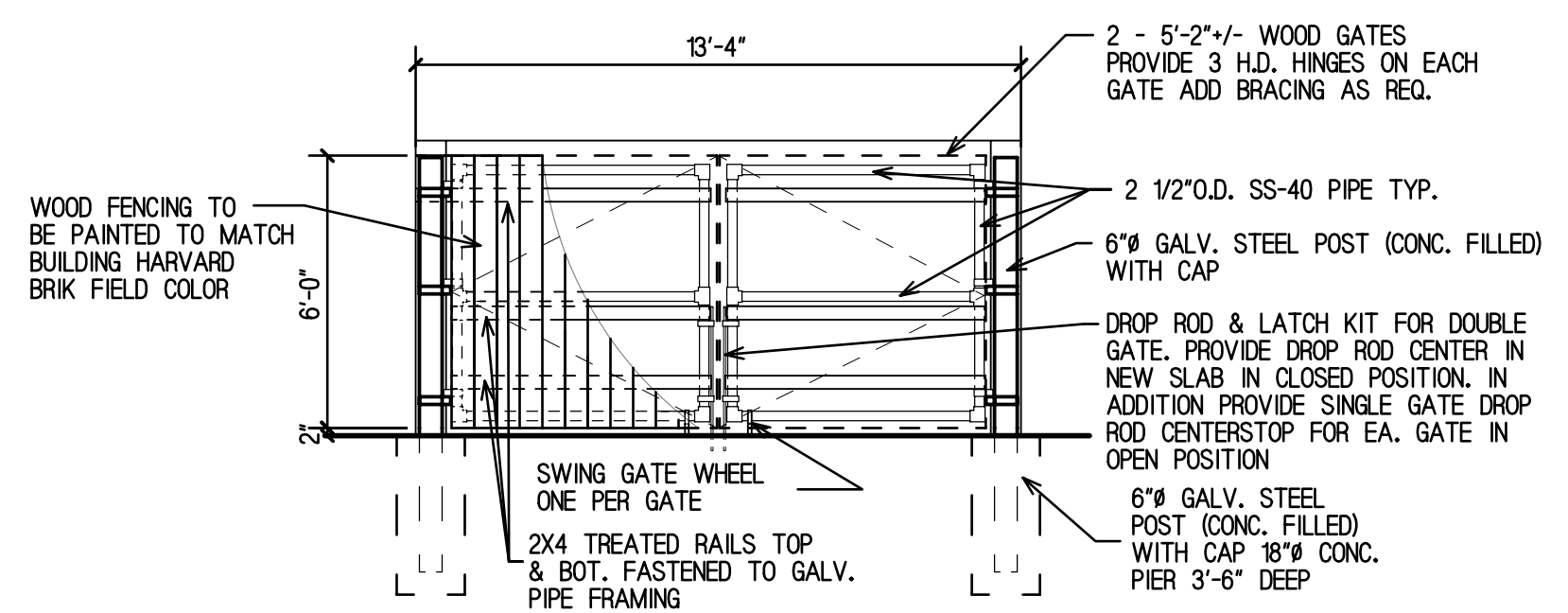
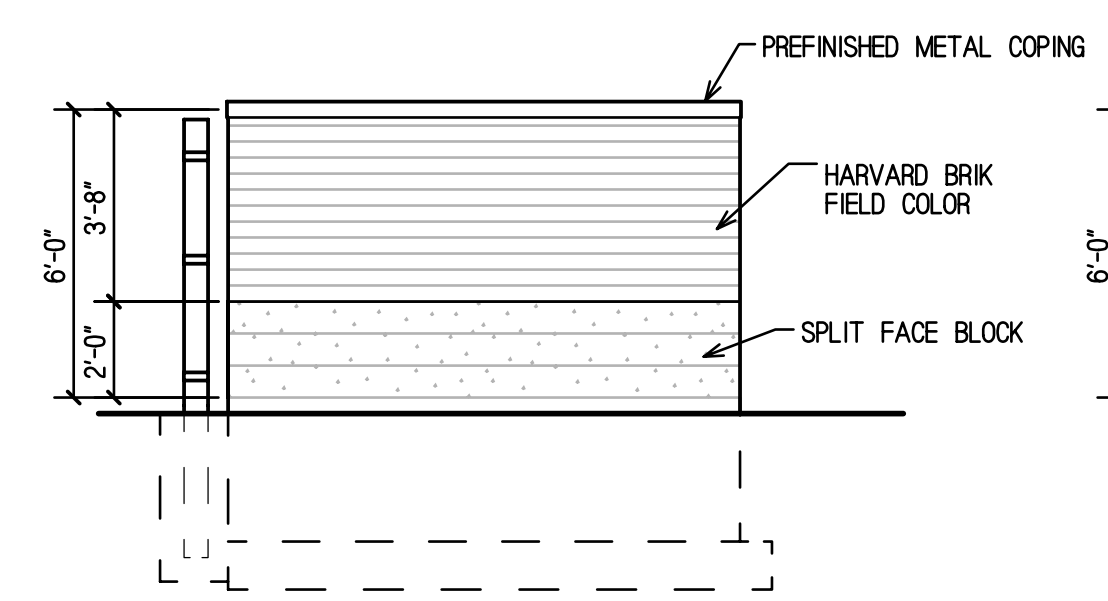


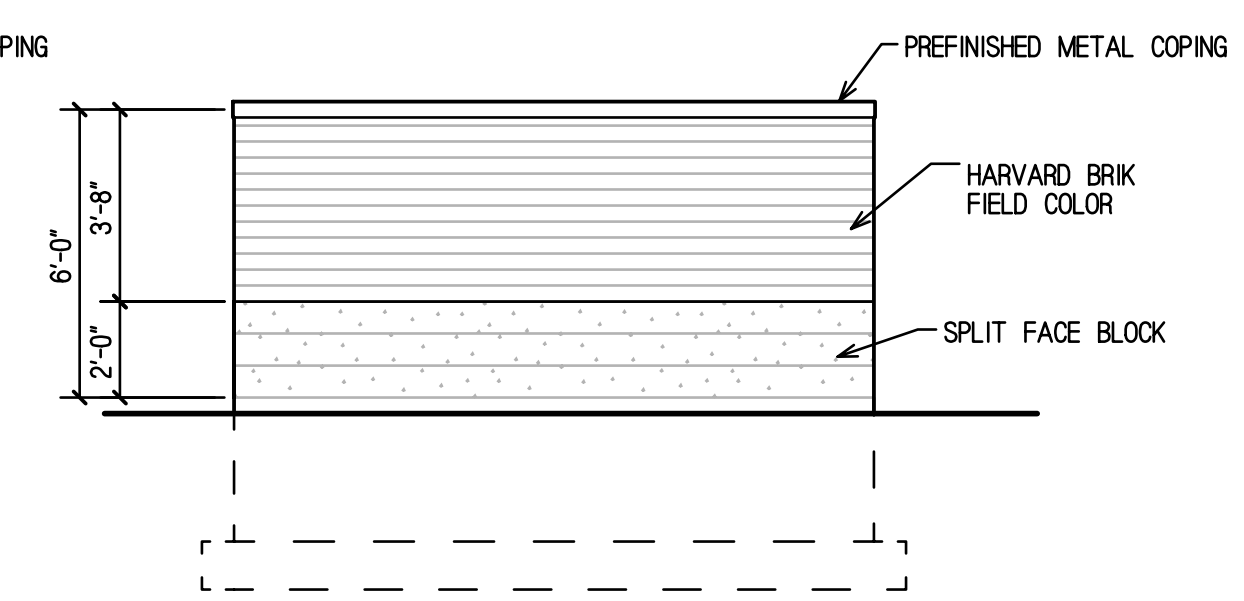
**Trash Enclosure Plan**  
SCALE 1/4" = 1'-0"



**Front Elevation**  
SCALE 1/4" = 1'-0"

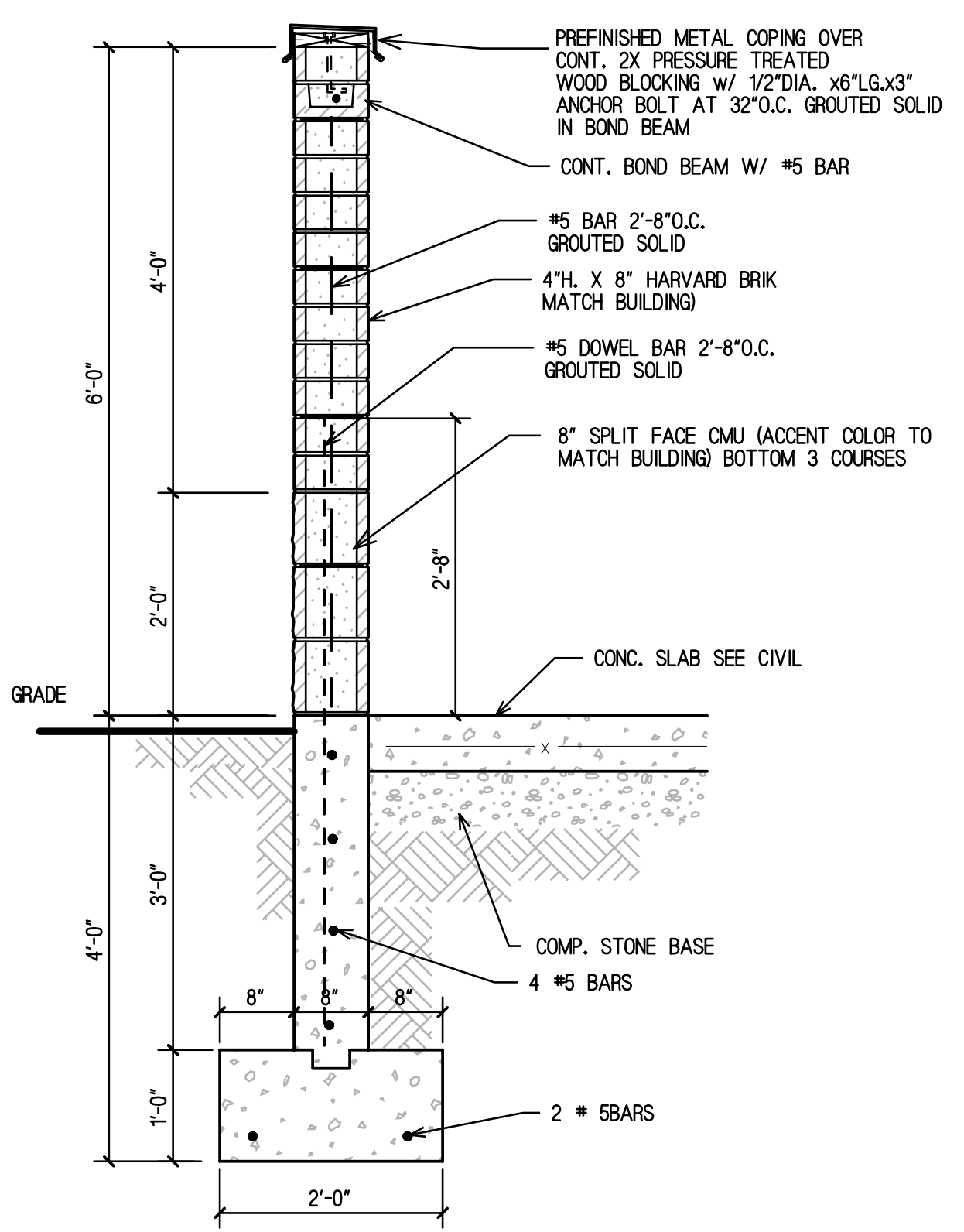


**Side Elevation**  
SCALE 1/4" = 1'-0"

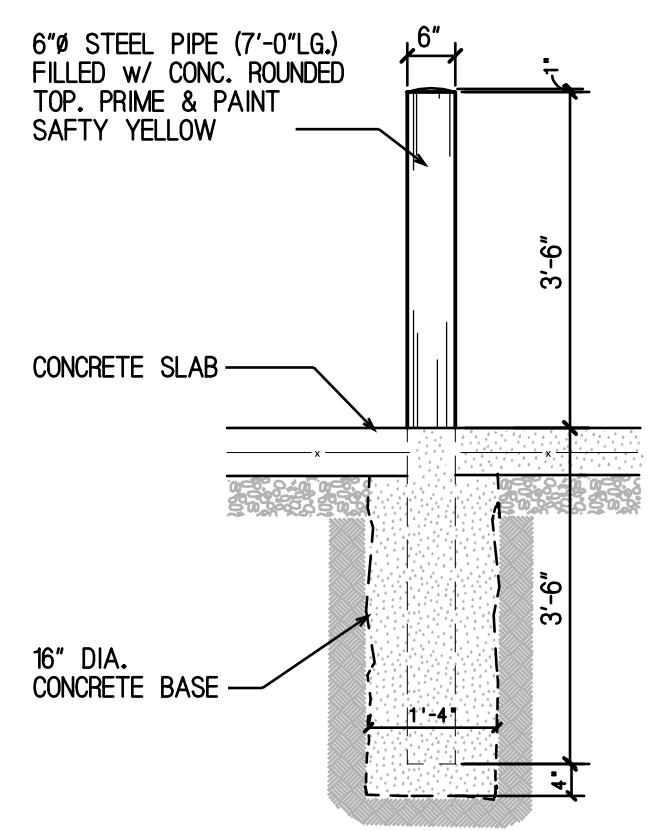


**Rear Elevation**  
SCALE 1/4" = 1'-0"

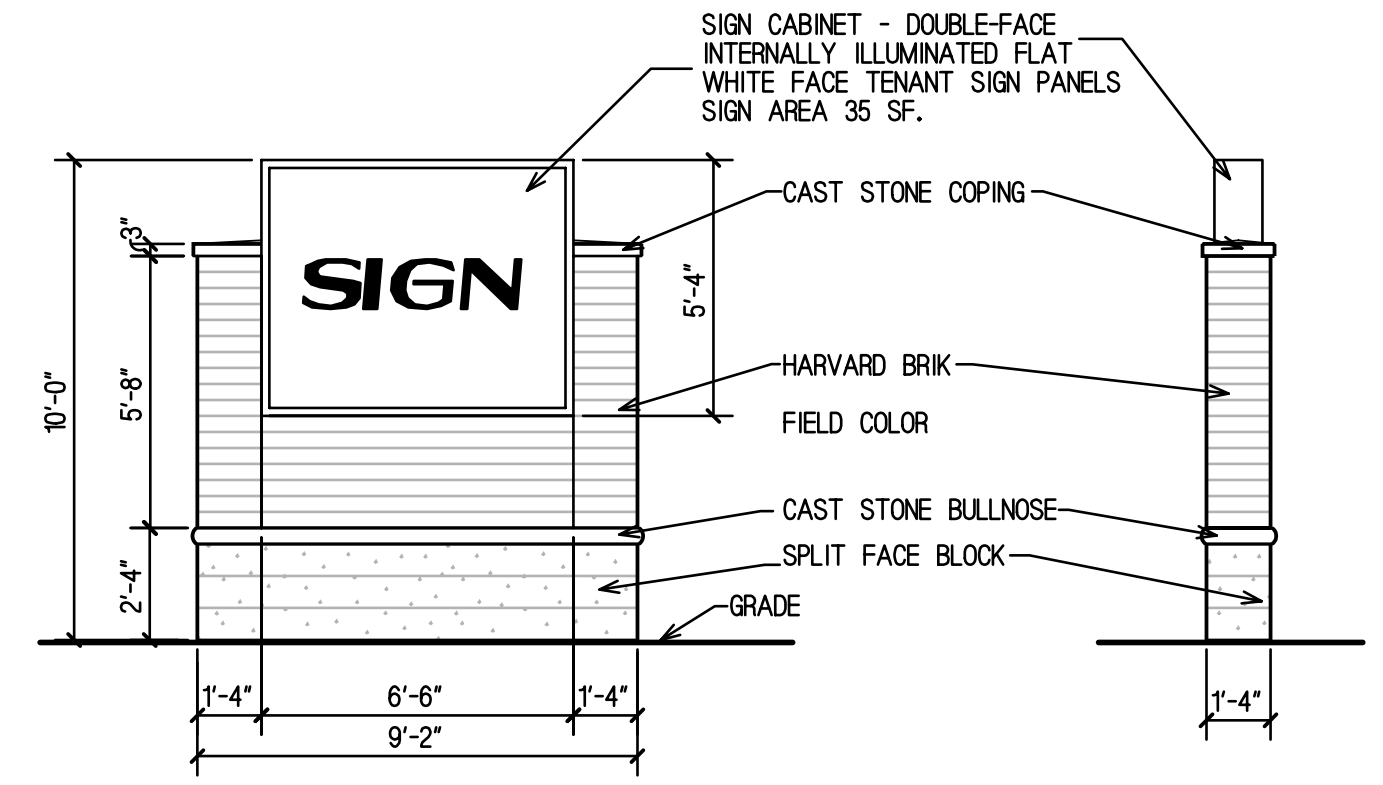
**TRASH ENCLOSURE ELEVATIONS**  
SCALE 1/4"=1'-0"



**Trash Enclosure Wall Section**  
SCALE: 3/4"=1'-0"

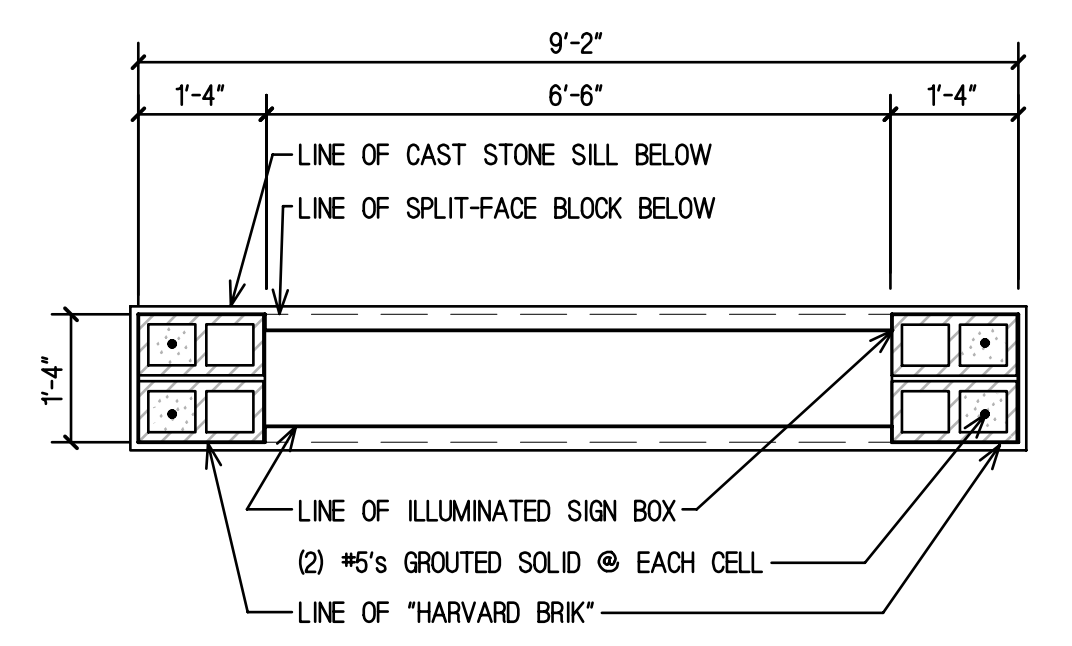


**Pipe Bollard Detail**  
SCALE: 1/2"=1'-0"

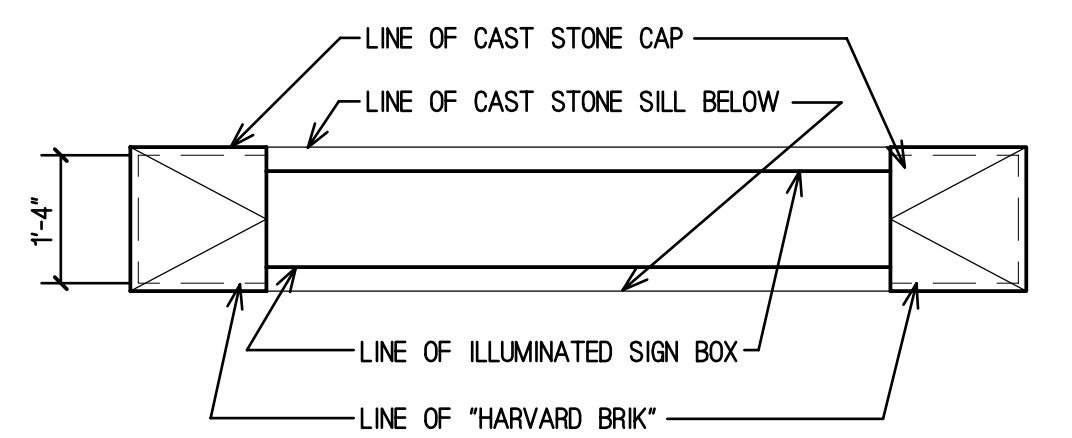


**Monument Sign Elevation**  
SCALE: 1/4"=1'-0"

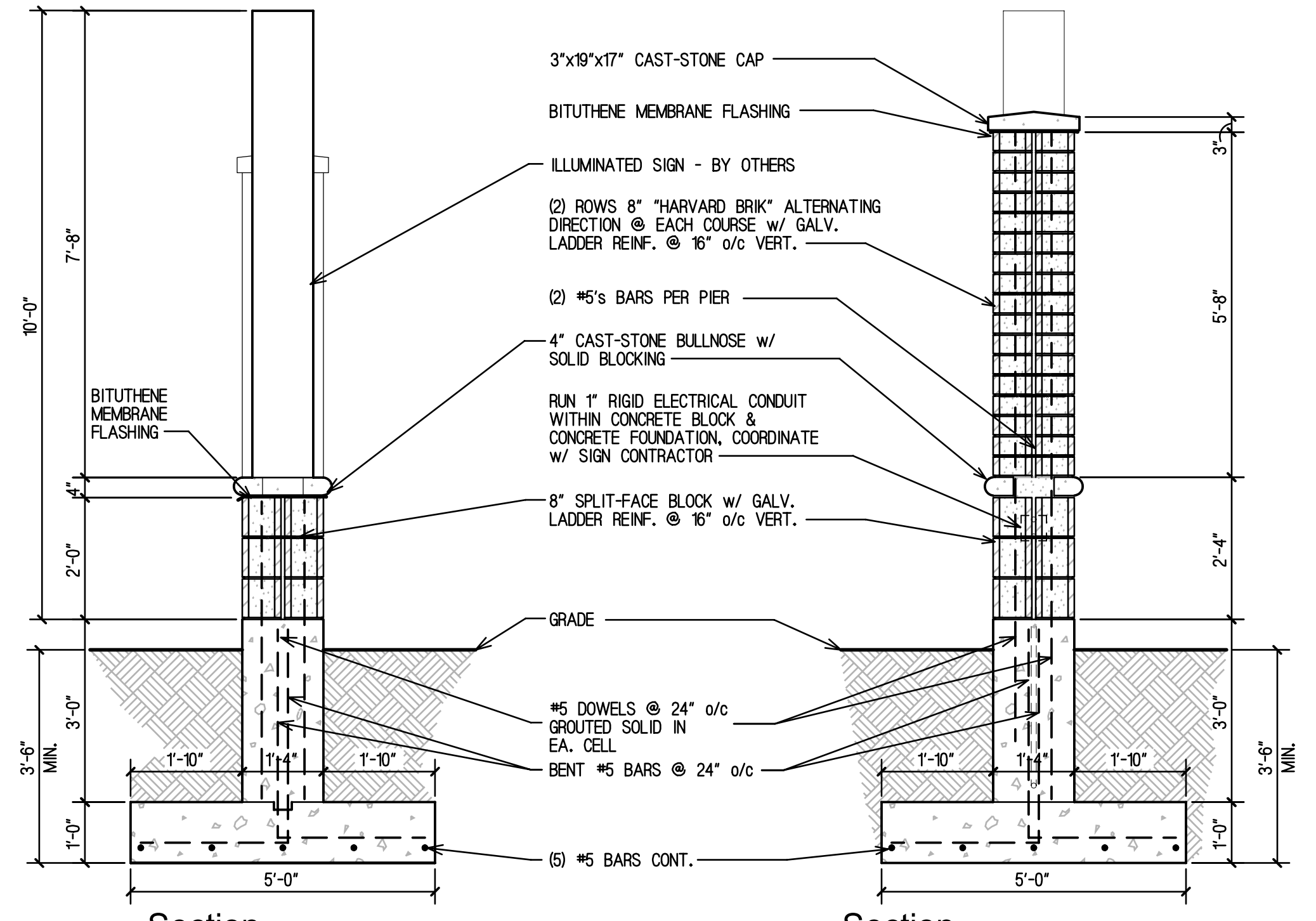
**Side Elev.**  
SCALE: 1/4"=1'-0"



**Floor Plan**  
SCALE: 1/2"=1'-0"

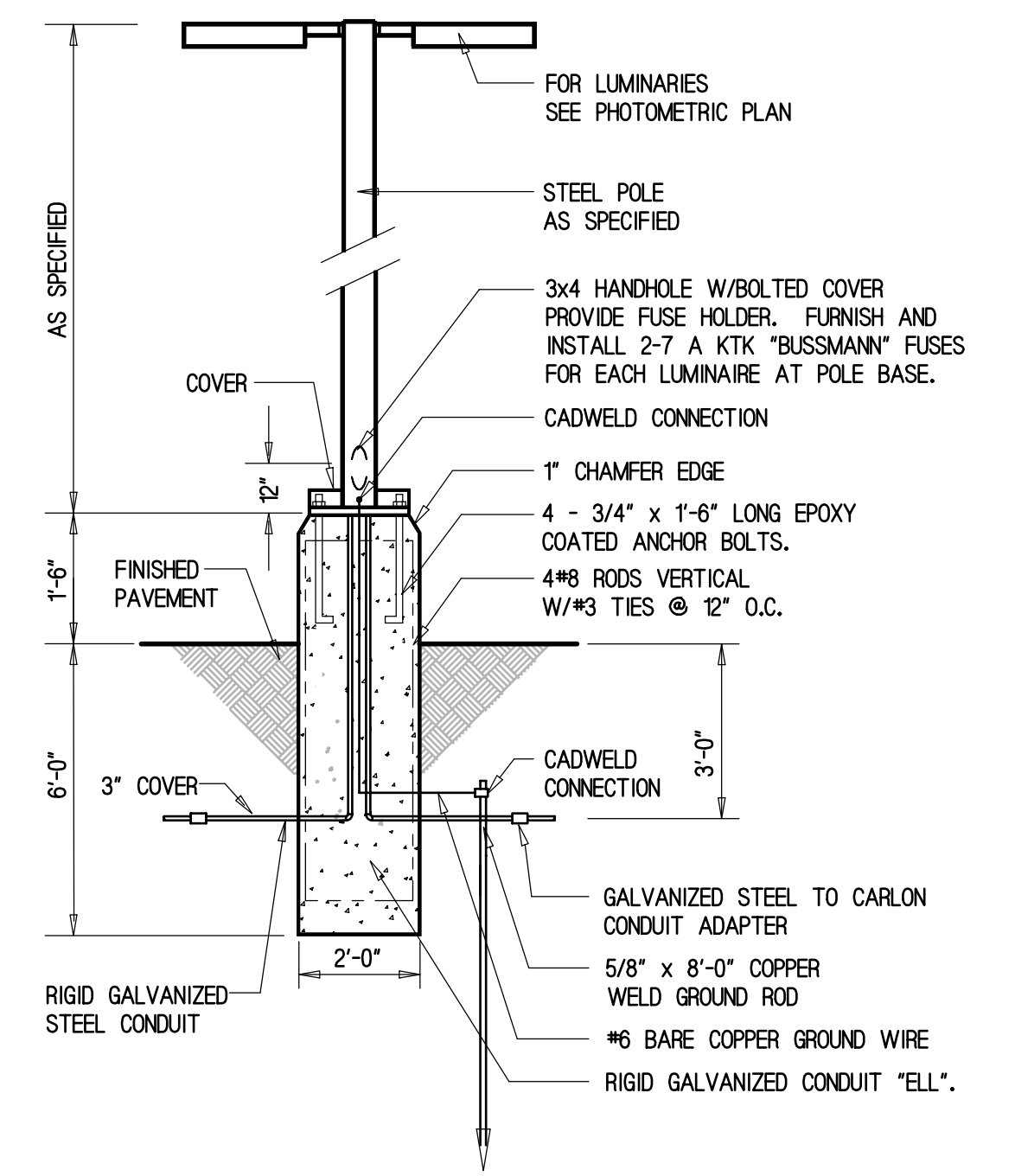


**Roof Plan**  
SCALE: 1/2"=1'-0"



**Section**  
SCALE: 1/2"=1'-0"

**Section**  
SCALE: 1/2"=1'-0"



**PARKING LOT LIGHT POLE DETAIL**  
N.T.S.