

HOOD INFORMATION

HOOD NO.	MODEL	LENGTH	MAX. COOKING TEMP.	EXHAUST PLENUM RISER(S)					SUPPLY PLENUM RISER(S)					HOOD CONSTRUCTION	HOOD CONFIG.			
				TOTAL EXH. CFM	WIDTH	LENG.	DIA.	CFM	S.P.	TOTAL SUP. CFM	WIDTH	LENG.	DIA.		CFM	S.P.	END TO END	ROW
1	5430 ND-2-PSP-F	9' 6.00"	450 Deg.	3800	10"	36"		3800	-0.627'		2470					430 SS Where Exposed	ALONE	ALONE
2	4230 ND-2	3' 0.00"	450 Deg.	525	7"	7"		525	-0.146'		0				430 SS Where Exposed	ALONE	ALONE	

HOOD INFORMATION

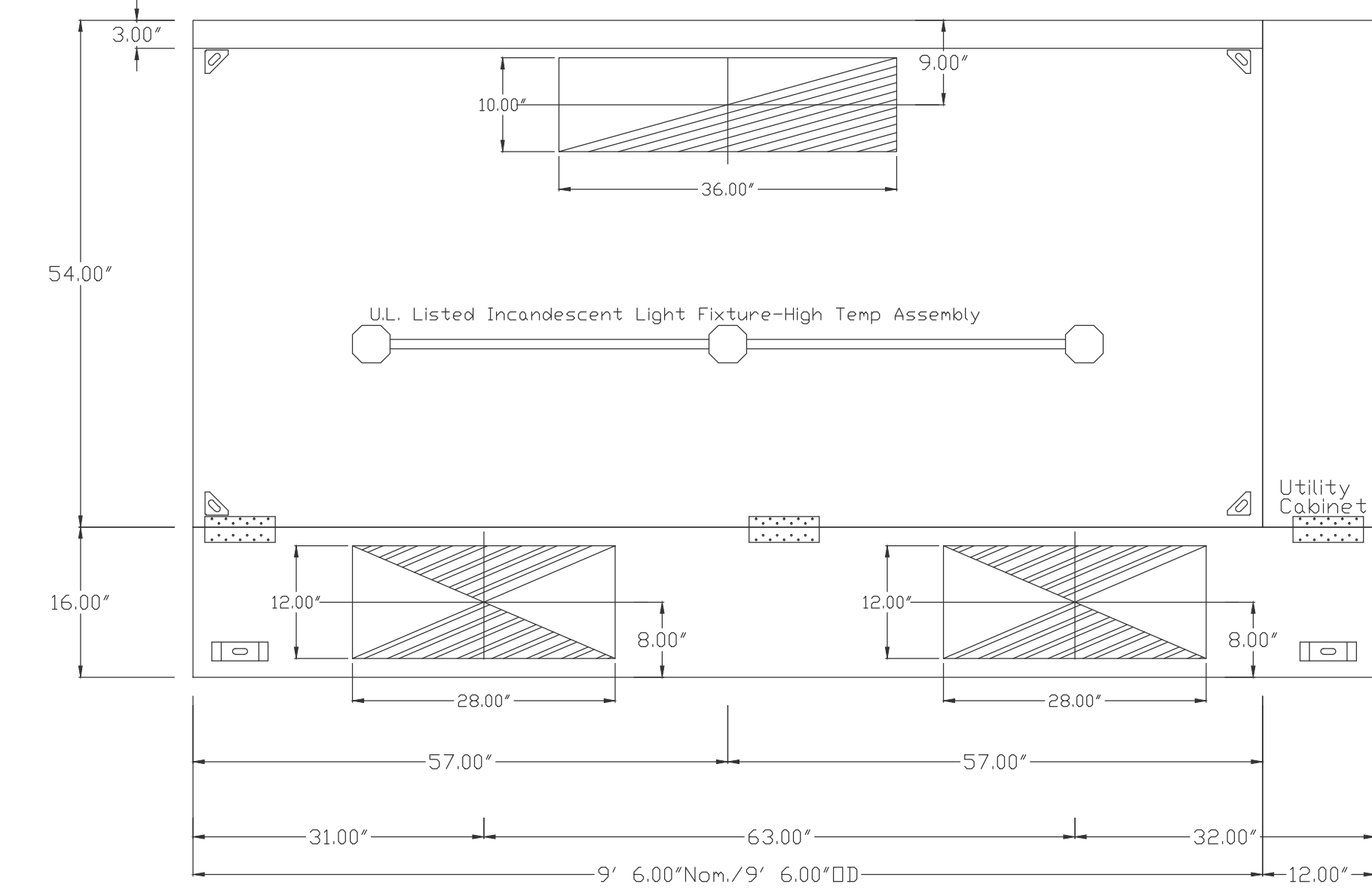
HOOD NO.	FILTER(S)				LIGHT(S)				UTILITY CABINET(S)				FIRE SYSTEM PIPING	HOOD HANGING WGT	
	TYPE	QTY.	HEIGHT	LENGTH	QTY.	TYPE	WIRE GUARD	LOCATION	TYPE	SIZE	ELECTRICAL MODEL #	SWITCHES QUANTITY			LOCATION
1	SS Baffle with Handles	2	20"	16"	3	Incandescent Light Fixt	NO	Right	Ansul R102	3.0/1.5	311110FP	1 Light 1 Fan	Outside	YES	674 LBS
2	SS Baffle with Handles	2	20"	16"	1	Incandescent Light Fixt	NO							YES	187 LBS

HOOD OPTIONS

HOOD NO.	OPTION
1	FIELD WRAPPER 10.00" High Front, Left, Right
	BACKSPLASH 80.00" High X 126.00" Long 430 SS
	RIGHT QUARTER END PANEL 23" Top Width, 0" Bottom Width, 23" High 430 SS
	LEFT QUARTER END PANEL 23" Top Width, 0" Bottom Width, 23" High 430 SS
2	FIELD WRAPPER 10.00" High Front, Left, Right
	BACKSPLASH 80.00" High X 36.00" Long 430 SS

PERFORATED SUPPLY PLENUM(S)

HOOD NO.	POS.	LENGTH	WIDTH	HEIGHT	RISER(S)				
					WIDTH	LENG.	DIA.	CFM	S.P.
1	Front	126"	16"	6"	12"	28"		1235	0.165'
					12"	28"		1235	0.165'



PLAN VIEW - Hood #1
9' 6.00" LONG 5430ND-2-PSP-F

CUSTOMER APPROVAL TO MANUFACTURE:

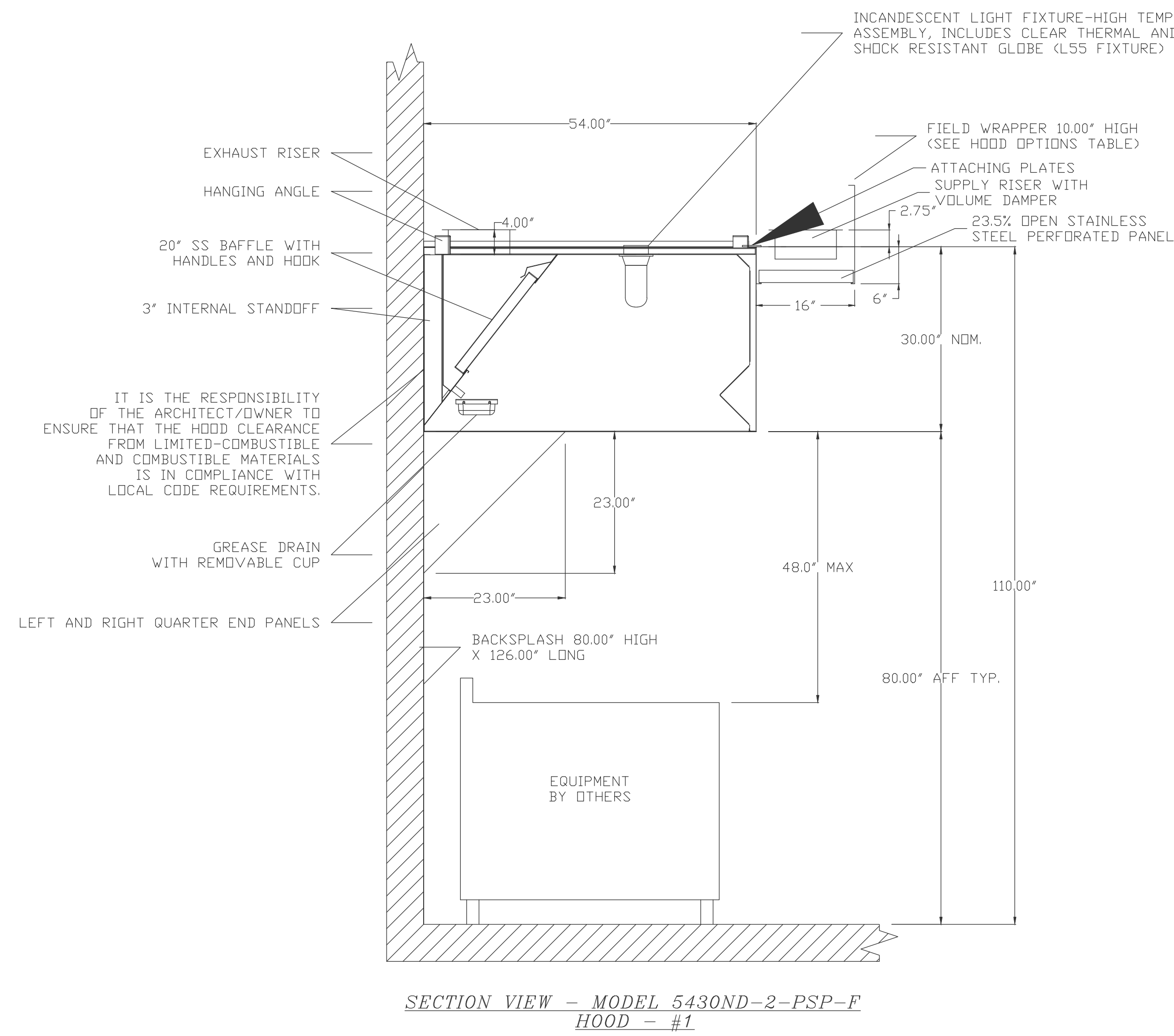
Approved as Noted

Approved with NO Exception Taken

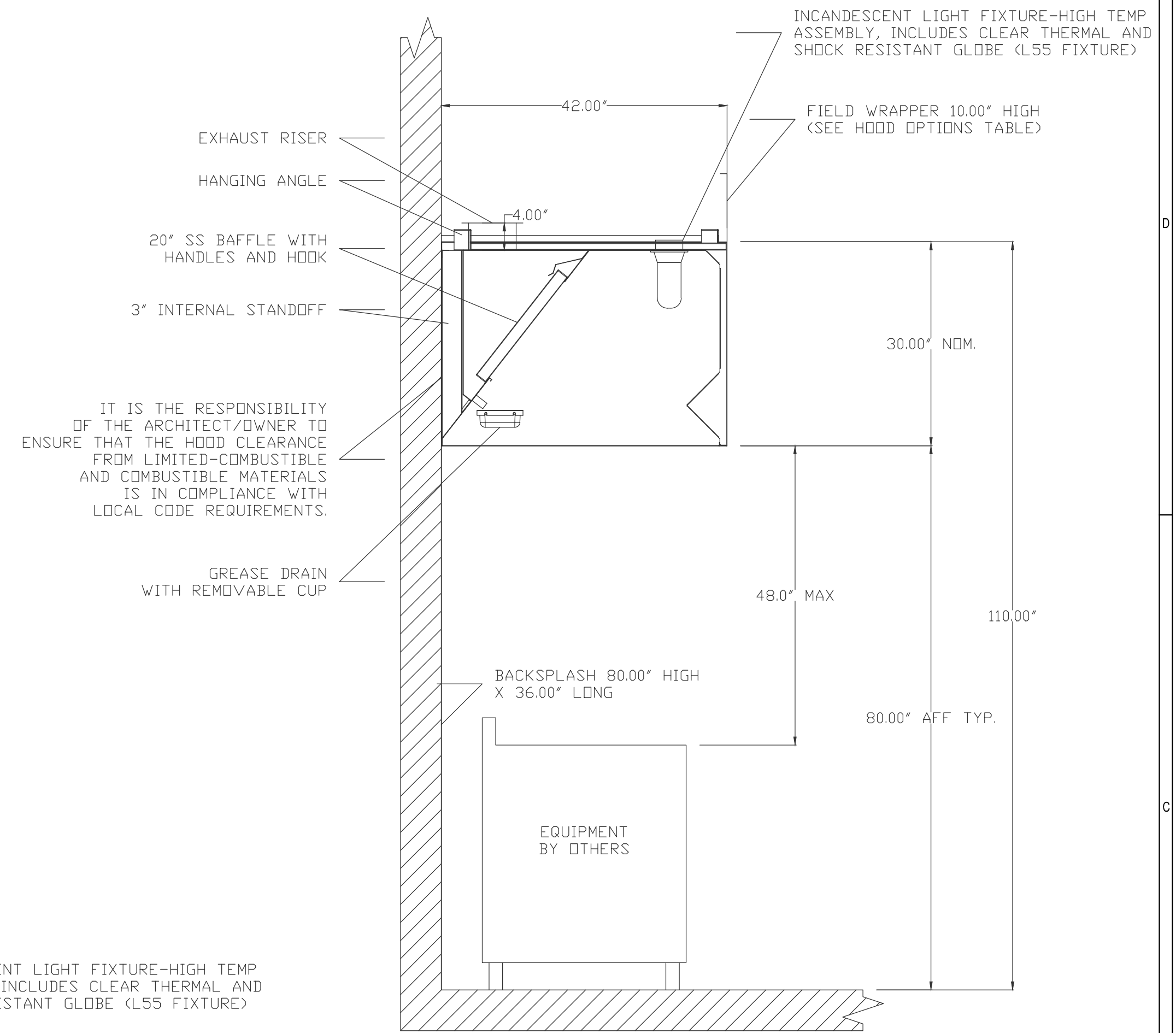
Revise and Resubmit

SIGNATURE _____

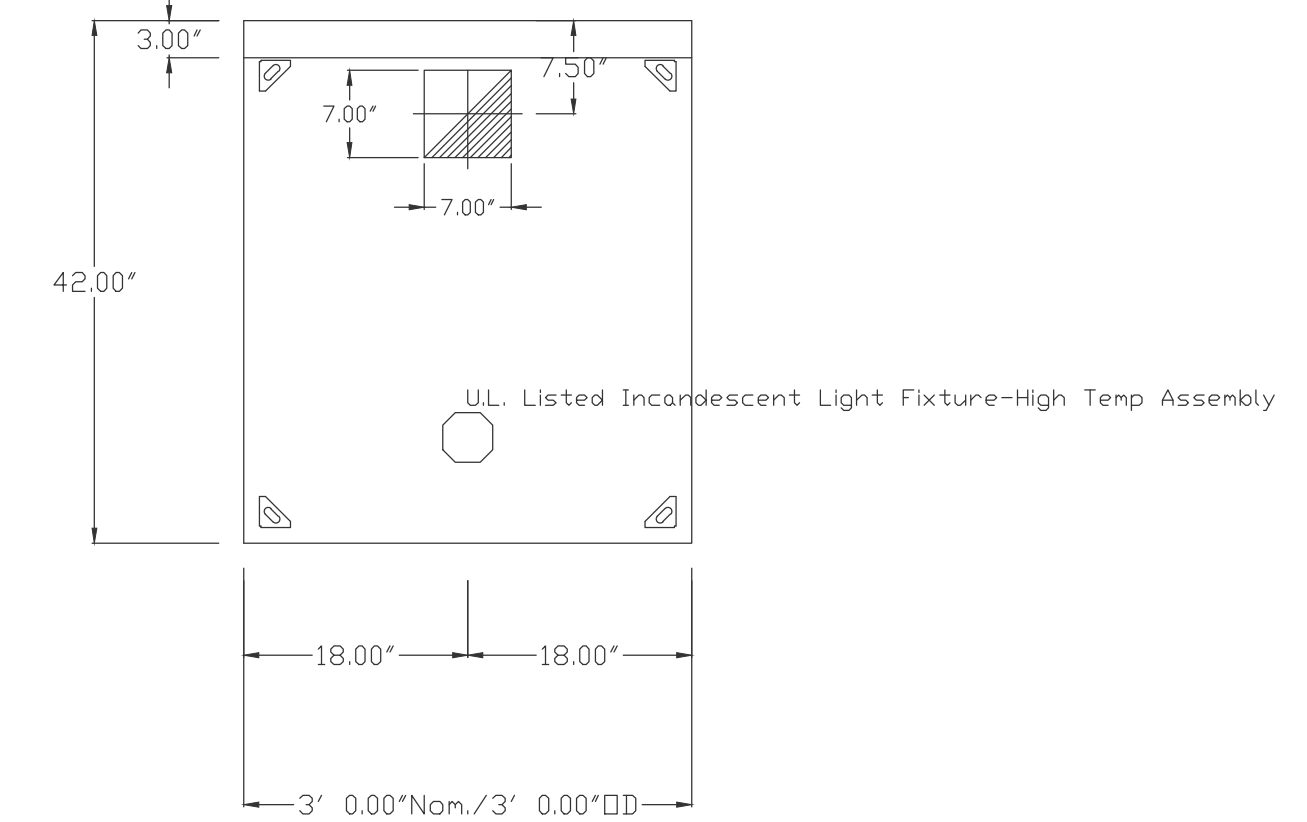
Your Title _____ Date _____



SECTION VIEW - MODEL 5430ND-2-PSP-F
HOOD - #1



SECTION VIEW - MODEL 4230ND-2



PLAN VIEW - Hood #2
3' 0.00" LONG 4230ND-2

LINGLEDESIGNGROUP, INC
WEST MAIN STREET
LEVA, IL 61048-1156
PHONE: 815-369-9155
FAX: 815-369-4495
WWW.LINGLEDESIGN.COM



148 Bond Street, Suite 100
Naperville, Illinois 60563-6003
Larson Engineering Inc. is an Equal Opportunity Employer
L.E. Larson, P.E. License No. 07-0000044
L.E. Larson, P.E. License No. 2400004000
COPYRIGHT © 2010
Larson Engineering Inc.

© ALL DRAWINGS AND WRITTEN MATERIAL CONTAINED HEREIN ARE THE PROPERTY OF THE ARCHITECT. THEY MAY NOT BE REPRODUCED, REUSED, OR DISCLOSED IN ANY MANNER WITHOUT WRITTEN AUTHORIZATION FROM THE ARCHITECT.

Qdoba MEXICAN GRILL
20 E. Chicago Avenue
Chicago, IL 60611-2009

REVISIONS:	DATE:	DESCRIPTION:
#	1/8/10	ISSUED FOR PERMIT
2	1/18/10	ISSUED FOR PERMIT

PROJECT NUMBER: 09-116
DRAWN BY: LEM
CHECKED BY: JKN

SHEET TITLE:
CAPTIVE AIRE HOOD DETAIL

SHEET NUMBER:
M3.0

X:\2009 MEP\4490046.000_Lingle Design Group, Inc.-Qdoba Mexican Grill-Chicago IL Drawings\4490046-M3.0.DWG, Copyright ©2009 Larson Engineering, Inc., Plotted: 1/19/2010 8:47 AM, r197