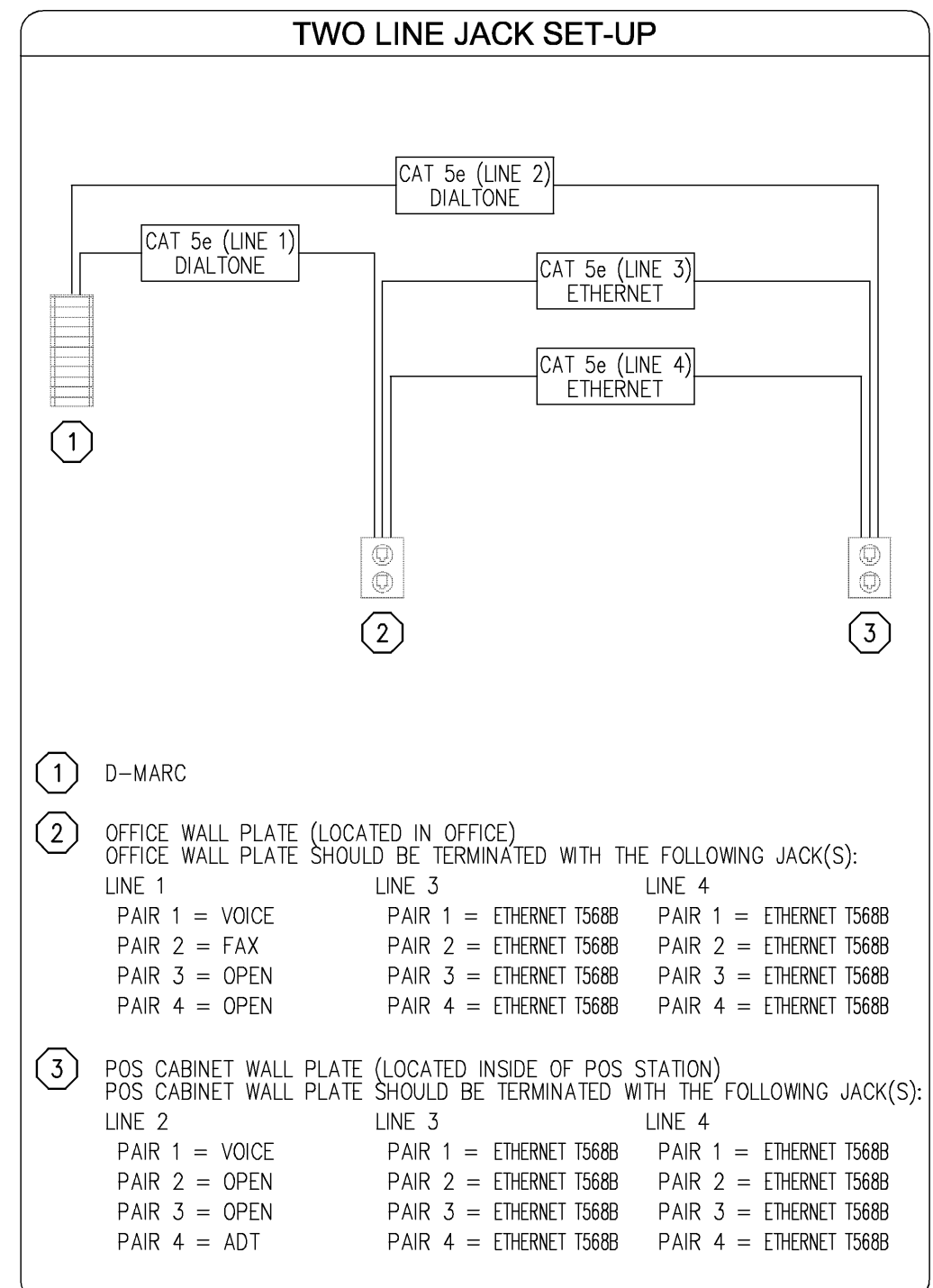


# ELECTRICAL SCHEDULE

NO.	VOLTS	PH.	LOAD	HEIGHT A. F. F.			OUTLET TYPE	TO OPERATE/REMARKS	
				FLOOR	WALL	CEILING			
105	120	1	15.0 A (1800 W) EA.		12"		SCO	FOR TORTILLA WARMERS (2-LOCATIONS)	
106	120	1	15.0 A (1800 W)		12"		SCO	FOR QUESADILLA TOASTER (2-LOCATIONS)	
107	120	1	10.0 A		12"		SCO	FOR MOBILE FOOD WARMER	
108	120	1	12.5 A		12"		NEMA 5-20P	FOR 2-WELL HOT FOOD TABLE	
110	208	1	16.64 A		12"		NEMA 6-30P	FOR HOT FOOD TABLE	
125	208	3	22.0 A		42"		L15-30P	BTC ON CONVECTION RETHERMOLIZER	
132	120	1	10.0 A		12"		NEMA 5-15P	FOR MOBILE WARMING CABINET	
135	120	1	4.0 A		12"		NEMA 5-15P	FOR CHIP WARMER	
136	120	1	8.0 A		12"		J-BOX	BTC ON FIXTURE MOUNTED SCO FOR CHIP WARMER	
137	120	1	4.0 A		12"		NEMA 5-15P	FOR CHIP WARMER	
205-60	120	1	9.0 A		12"		NEMA 15-5P	SANDWICH TOP REFRIGERATOR	
210-36	120	1	5.5 A		12"		SCO	FOR WORK-TOP REFRIGERATOR	
215-27	120	1	6.8 A		12"		SCO	FOR WORK-TOP FREEZER	
218	120	1	4.0 A		12"		SCO	SANDWICH TOP REFRIGERATOR (2-LOCATIONS)	
220	120	1	10.5 A		78"		SCO	FOR MERCHANDISER	
225	120	1	12.8 A		60"		NEMA	BTC ON ICE MACHINE	
235	120	1	2.7 A		120"		J-BOX	BTC ON COOLER LIGHTS	
236	208	3	5.9 A	SU 4"			J-BOX	BTC ON COOLER COMPRESSOR ON ROOF	
405	120	1	20.0 A				DFA	J-BOX	BTC ON PRE-WIRED HOOD LIGHTS (INDICATOR SWITCH)
530	120	1	15.0 A		61"		SCO		FOR GENERAL DUTY (3-LOCATIONS)
535	120	1	15.0 A		12"		SCO		FOR GENERAL DUTY (2-LOCATIONS)
705	208	1	11.0 A		30"		SCO		BTC ON ICE MAKER HEAD
710	120	1	5.2 A		30"		SCO		FOR DRINK DISPENSER
710.1	120	1	15.0 A		72"		DCO		BAG-N-BOX RACK FOR DRINK CARBONATOR (2-LOC)
715	120	1	14.87 A		30"		SCO		FOR ICE TEA BREWER
785	120	1	0.5A		12"		DCO		FOR DIGITAL TIMER
815	120	1	20.0 A		12"		J-BOX		BTC ON FIXTURE MOUNTED RECEPTACLES FOR (2) POS REGISTERS BY OWNER (DEDICATED CIRCUIT, ISOLATED GROUND)



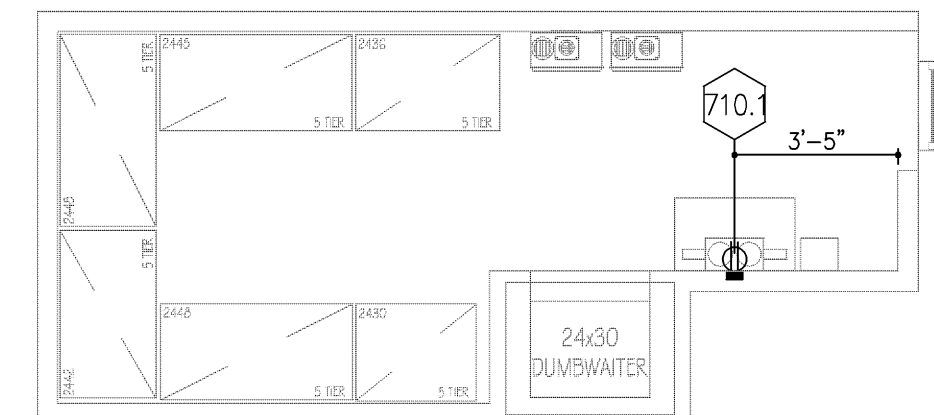
### ELECTRICAL SYMBOLS

SYMBOLS	ABBREVIATIONS
	JUNCTION BOX (J-BOX) EL ELEVATION ABOVE FINISHED FLOOR
	ELECTRICAL STUB-UP A AMPERES
	EQUIPMENT CONNECTION V VOLTS
	DUPLEX CONVENIENCE OUTLET (DCO) W WATTS
	SINGLE CONVENIENCE OUTLET (SCO) PH PHASE
	SINGLE POWER OUTLET (SP) AFF ABOVE FINISHED FLOOR
	FLOOR RECEPTACLE DFA DOWN FROM ABOVE
	LIGHT INDICATION BTC BRANCH TO CONNECTION POINT AND CONNECT EQUIPMENT
	BREAKER PANELBOARD SU STUB UP ABOVE FINISHED FLOOR
	SWITCH AS NOTED HP HORSE POWER
	MOTOR OUTLET KW KILLOWATTS
	BLOWER COIL MOTOR DC DIRECT CONNECTION
	HEAT ELEMENT KES KITCHEN EQUIPMENT SUPPLIER
	FLOOR BOX (FL. BOX)

### ELECTRICAL NOTES

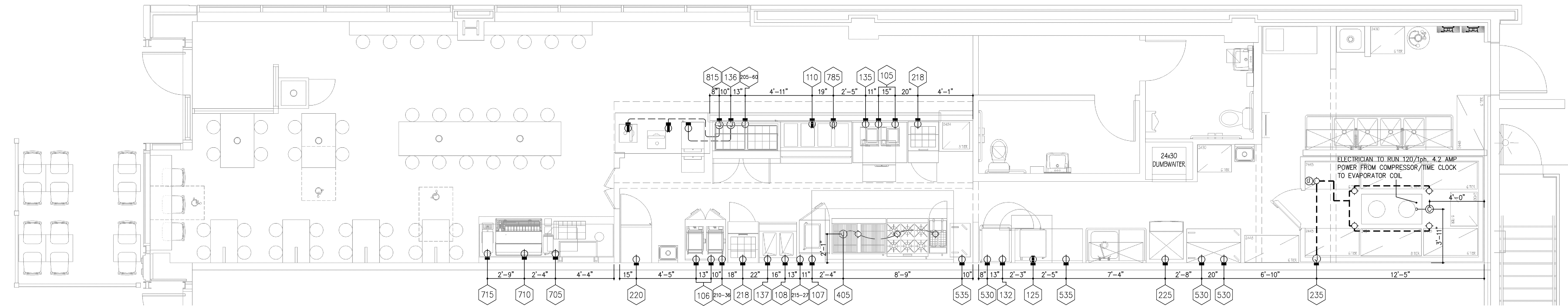
NOTES

- ALL ELECTRICAL OUTLETS SHOWN ON THIS PLAN ARE FOR FIXTURES SPECIFIED AS FURNISHED BY THE KITCHEN EQUIPMENT SUPPLIER. FOR FURTHER BLDG ELECTRICAL REQUIREMENTS (TELEPHONES, CLOCKS, SIGNS, EXHAUST HOOD SWITCHING, ETC.) SEE OTHER PLANS.
- ALL DIMENSIONS GIVEN ARE IN INCHES TO 2'-0" AND ARE FROM CENTERLINES AND/OR FINISHED WALLS. ELEVATIONS GIVEN ARE FROM FINISHED FLOOR TO CENTERLINE OF OUTLET. ALL ROUGH-INS SHOWN ARE TO BE RUN INSIDE WALLS (EXCEPT STUB-UPS). LOCATION INDICATES POINT OF EXIT FROM WALLS, CEILINGS OR FLOORS. ALL CONVENIENCE OUTLETS ARE TO BE SET HORIZONTALLY. ALL 120 VOLT OUTLETS NOT DESIGNATED WITH SPECIFIC LOADS TO BE RATED AT 20.0 AMPS.
- ELECTRICIAN TO CONNECT ALL ELECTRICAL EQUIPMENT AND FIXTURES AND DO ANY INTERNAL WIRING REQUIRED IN THE FIXTURES AS REQUIRED BY THE SPECIFICATIONS. ALL ELECTRICAL OUTLET COVER PLATES ARE TO BE STAINLESS STEEL AND ARE TO BE FURNISHED BY THE ELECTRICIAN, AS WELL AS THE RECEPTACLE, UNLESS OTHERWISE SPECIFIED IN THE ITEM SPECIFICATIONS. KITCHEN EQUIPMENT SUPPLIER TO FURNISH A GALVANIZED JUNCTION BOX IN THE FIXTURE CUTOUT TO RECEIVE THE RECEPTACLE, UNLESS OTHERWISE NOTED. ALL DISCONNECT SWITCHES REQUIRED ARE TO BE FURNISHED AND INSTALLED BY THE ELECTRICIAN AT TIME OF INSTALLATION.
- ALL WORK TO BE PERFORMED IN FULL ACCORDANCE WITH ALL APPLICABLE CODES RELATING TO HOOK-UP, INSTALLATION AND WIRING OF EQUIPMENT. OMISSIONS OR ERRORS ON THE SCHEDULE DO NOT RELIEVE THE ELECTRICIAN FROM COMPLETE FINAL CONNECTION RESPONSIBILITY.
- ELECTRICAL REQUIREMENTS FOR THIS AREA SHALL BE SPECIFIED AND LOCATED BY OTHERS.
- CONTROL CIRCUIT FROM ELECTRICIAN FURNISHED AND INSTALL SHUNT TRIP BREAKER(S) TO FIRE CONTROL SYSTEM CONTROL MICRO-SWITCH. SHUNT TRIP BREAKER(S) TO BE UNDER EXHAUST HOOD. IN CASE OF FIRE, ALL POWER TO EQUIPMENT UNDER HOOD WILL BE SHUT OFF. ALL GAS EQUIPMENT LOCATED UNDER HOOD WILL ALSO BE SHUT OFF IN CASE OF FIRE. MUST BE WIRED THAT IN THE EVENT OF POWER FAILURE, FIRE CONTROL SYSTEM WILL NOT BE ACTIVATED AND WHEN POWER IS RESTORED, FIRE SYSTEM WILL NOT DISCHARGE.
- SPIRAL WRAP NECESSARY LENGTH OF STRIP HEATER ON DRAIN LINE. USE 7'-2" HEAT (OR EQUAL) 120 1ph. WIRE HEATER TO FAN CIRCUIT OF BLOWER COOL SO THAT HEATER IS ALWAYS ON EXCEPT DURING DEFROST CYCLE. STRIP HEATER FURNISHED BY KITCHEN EQUIPMENT SUPPLIER TO ELECTRICAL CONTRACTOR FOR HOOK-UP.



REMOTE CONDENSER UNITS MOUNTED ON ROOF STRUCTURE. VERIFY LOCATION W/ GEN. CONTR.

**REMOTE COOLER COMPRESSOR**



**ELECTRICAL ROUGH-IN PLAN**  
SCALE 1/4" = 1'-0"

LINGLEDESIGNGROUP, INC  
WEST MAIN STREET  
LENA, IL 61048 158  
PHONE: 815-369-9155  
FAX: 815-369-4495  
WWW.LINGLEDESIGN.COM



Concept Services  
12521 Armand Drive  
Austin, TX 78727  
Kitchen Supplier/Designer  
512-343-3100 Office 512-343-3195 Fax

ALL DRAWINGS AND WRITTEN MATERIAL CONTAINED HEREIN ARE THE PROPERTY OF THE ARCHITECT. THEY MAY NOT BE REPRODUCED, COPIED, REUSED, OR DISCLOSED IN ANY MANNER WITHOUT WRITTEN AUTHORIZATION FROM THE ARCHITECT.

**Qdoba MEXICAN GRILL**  
20 E. Chicago Avenue  
Chicago, IL 60611-2009

REVISIONS:	DESCRIPTION:
#	DATE: 1/8/10 ISSUED FOR PERMIT
1	1/18/10 ISSUED FOR PERMIT

PROJECT NUMBER: 09-116  
DRAWN BY: JI  
CHECKED BY: MG

SHEET TITLE:  
**ELECTRICAL ROUGH-IN PLAN**

SHEET NUMBER:  
**K3**