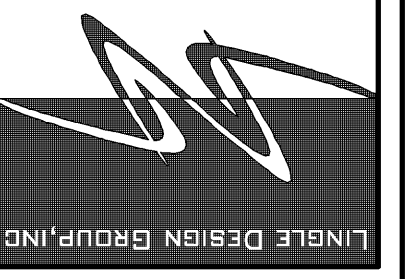


NOTE:
MILLWORK IS PROVIDED BY OWNER - G.C. TO ASSEMBLE AND INSTALL ON THE SITE - SEE MILLWORK SHOP DRAWINGS FOR ADDITIONAL INFORMATION - CONTACT ARCHITECT/VENDOR WITH ANY INCONSISTENCIES BETWEEN DRAWINGS

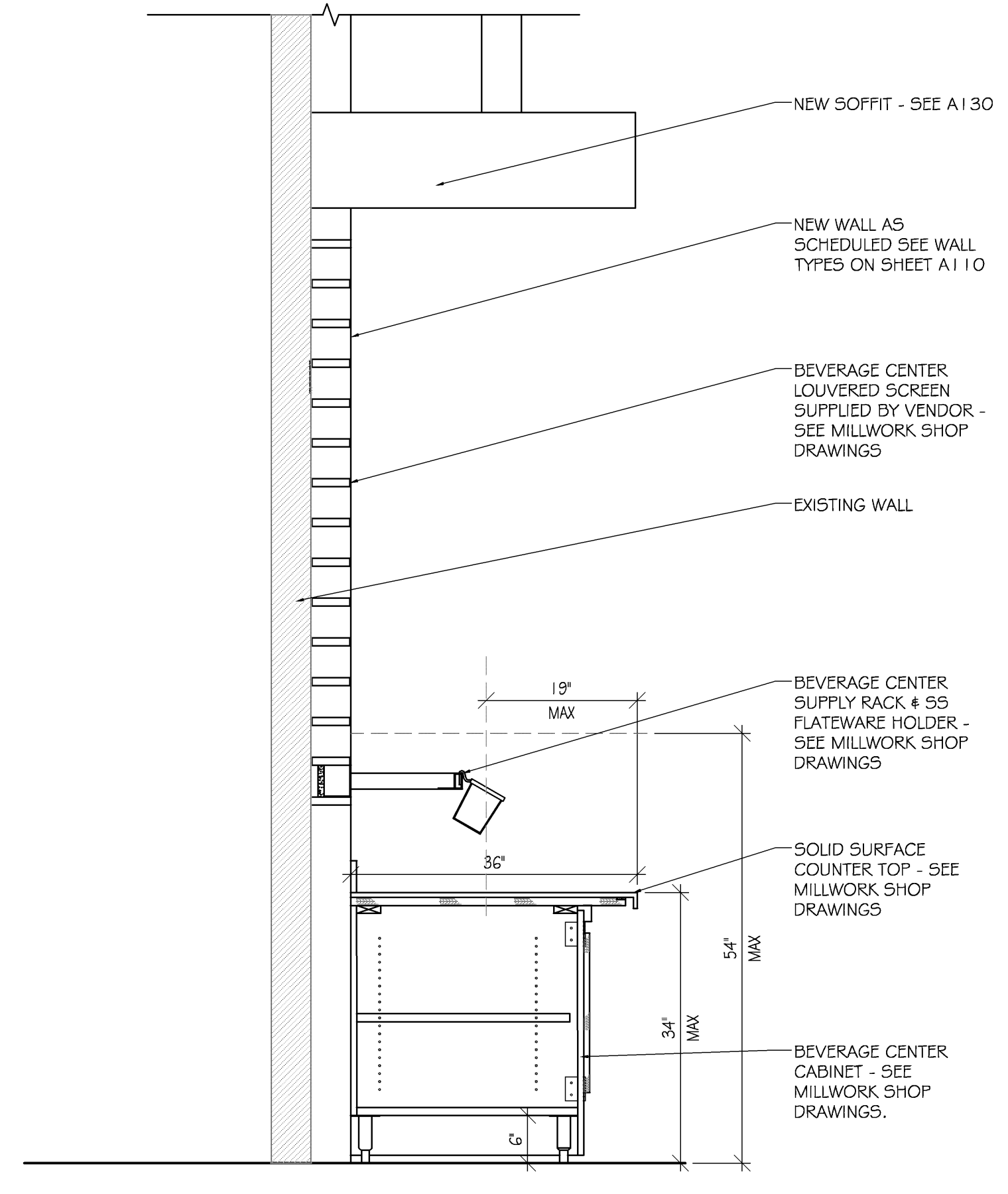
LINGLEDESIGNGROUP, INC.
WEST MAIN STREET
LENA, IL 61048 158
PHONE: 815-369-9155
FAX: 815-369-4495
WWW.LINGLEDESIGN.COM



ALL DRAWINGS AND WRITTEN MATERIAL CONTAINED HEREIN ARE THE PROPERTY OF THE ARCHITECT. THEY MAY NOT BE REPRODUCED, COPIED, REUSED, OR DISCLOSED IN ANY MANNER WITHOUT WRITTEN AUTHORIZATION FROM THE ARCHITECT.

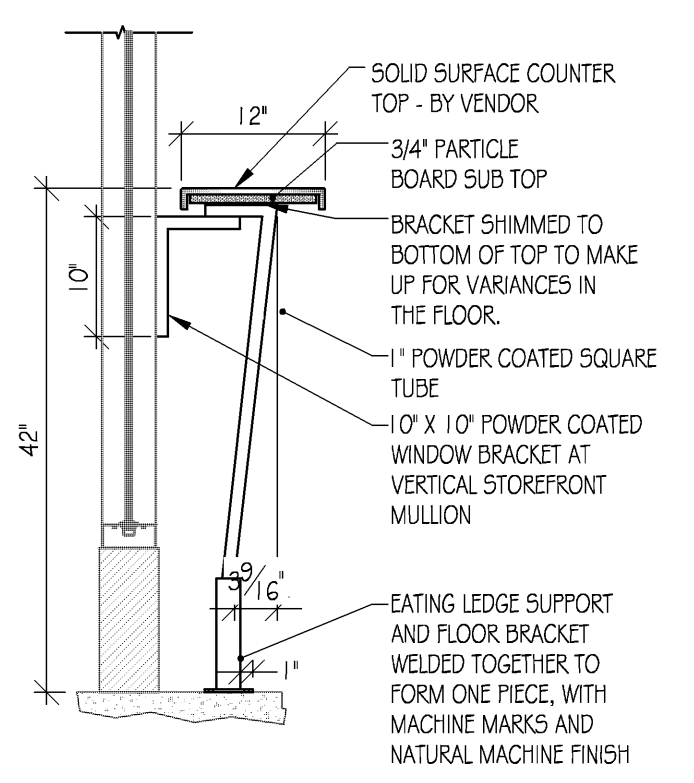
C1 POS / SERVICE LINE WALL DETAIL

Scale: 3/4" = 1'-0"



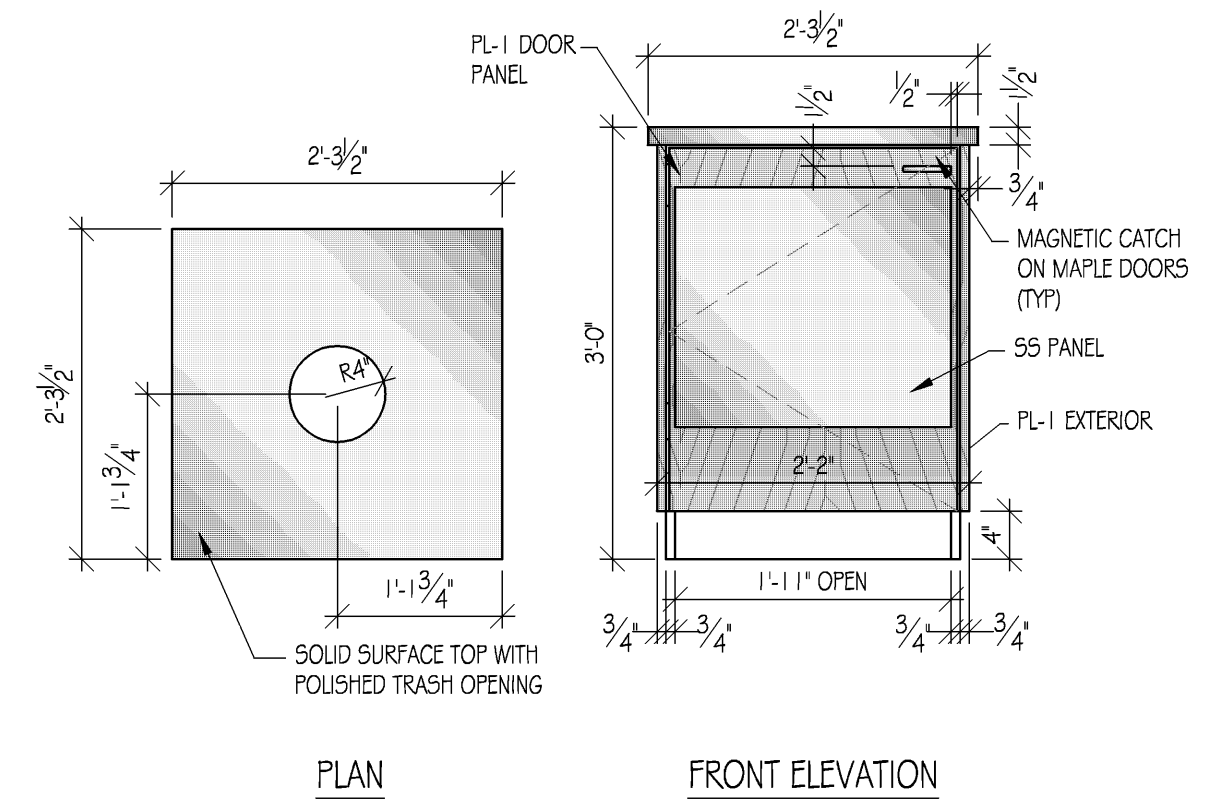
A1 SODA STATION CABINET DETAIL

Scale: 3/4" = 1'-0"



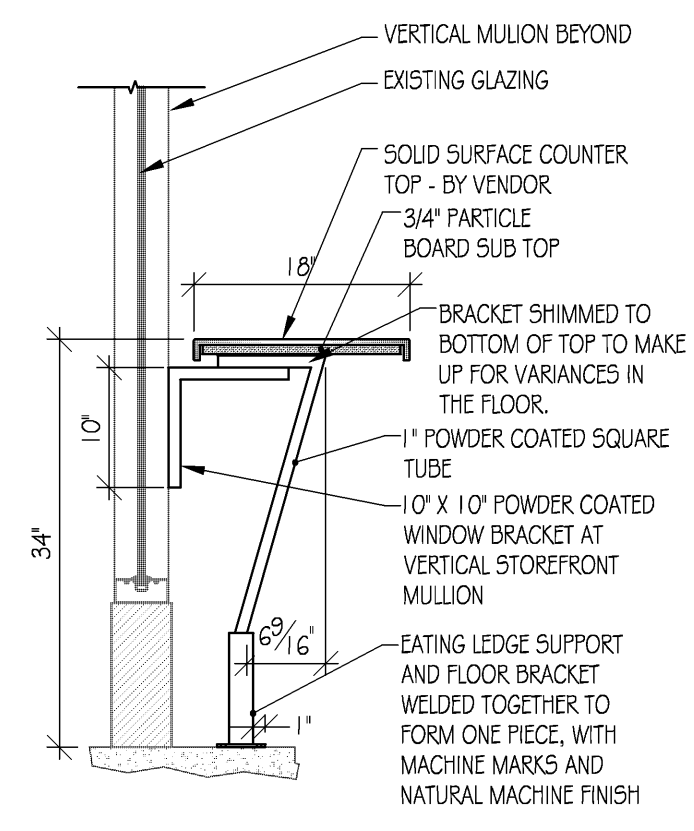
B3 COUNTER SEAT DETAIL

Scale: 3/4" = 1'-0"



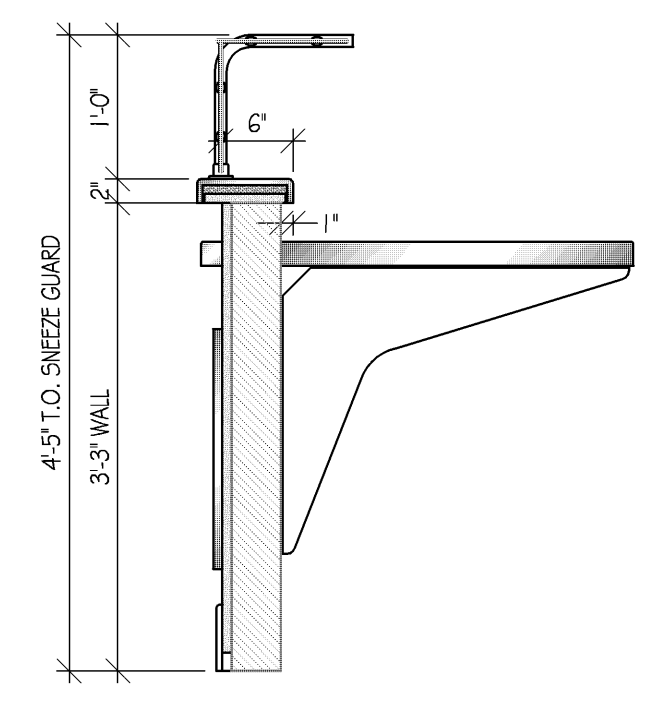
B4 TRASH MILLWORK DETAIL

Scale: 3/4" = 1'-0"



A3 COUNTER SEAT DETAIL (ADA)

Scale: 3/4" = 1'-0"



A5 TYPICAL QUEUE LINE RAIL DETAIL

Scale: 3" = 1'-0"

REVISIONS:	DATE:	DESCRIPTION:
#	DATE	DESCRIPTION
1	1/8/10	ISSUED FOR PERMIT
2	1/18/10	ISSUED FOR PERMIT

PROJECT NUMBER: 08-116
DRAWN BY: SRM
CHECKED BY: JTC

SHEET TITLE:
MILLWORK DETAILS

SHEET NUMBER:
A500

Qdoba
MEXICAN GRILL
20 E. Chicago Avenue
Chicago, IL 60611-2009