

LUMINARY SCHEDULE (April 15, 2009)

SYMBOL	MANUFACTURER & MODEL #	DESCRIPTION	LOCATION
▽ A	LIGHTOLIER - LYESPAN TRACK LIGHT, LOW VOLTAGE, ALCON, #22GG6BK	TRACK HEAD	DINING ROOM
▽ B	LIGHTOLIER - LYESPAN TRACK LIGHT, #236BK-8202BK	TRACK HEAD	ORDER LINE
○ C1	LIGHTOLIER - LYTECASTER RECESSED DOWNLIGHTING, C6T6V/MCLV, RECESSED TRIM SPECULAR CLEAR-C639T6E1	RECESSED W/ WHITE TRIM RING	SOFFIT ABOVE ORDER LINE EQUIPMENT
○ C2	HALO - RECESSED DOWNLIGHTING, H750CAT/ML706830/494 SC06	RECESSED W/ WHITE TRIM RING - LED MODULE INCLUDED	RESTROOM HALLWAY
⊗ D	DELUX #4144- 6" BLACK CYLINDER WITH SILVER REFLECTOR 12 FOOT CORD	CORD HUNG TO 9'-0" A.F.F.	DINING ROOM FILL-IN LIGHTING
⊗ E	A19 - MINI PENDANT, MATADOR RED SHADE, BRUSHED SATIN NICKEL FINISH HARDWARE - MOUNTED W/ 15'-0" BLACK CORD	CORD HUNG TO 7'-0" A.F.F., U.N.O.	ACCENT LIGHTING, COMMUNITY TABLE
X X1	CHICAGO CODE APPROVED EXIT LIGHT WITH BATTERY BACK-UP - EXITRONIX CSC-WB-*.LED-120-W	EXIT SIGNS WITH HEADS	CHICAGO CODE APPROVED EXIT LIGHT ABOVE EXITS (INTERIOR) ABOVE EXITS (EXTERIOR)
	EXITRONIX - X1 = ZIP-B	DOUBLE HEAD WETHER/PROOF REMOTE LAMP	
	CHICAGO CODE APPROVED EXIT LIGHT WITH EMERGENCY LIGHT CAPABILITIES - EXITRONIX CSC-*.LED-120-W		AT EGRESS DOORS
▽ F	TECH LIGHTING - 700FJTELS TELE MONOPOINT - SATIN NICKEL FINISH, W/ 700MR165BK/700FJCP5	REQUIRES A 300 WATT TRANSFORMER -700AT300T	MENU BOARDS
	LOL MODEL XP2GVA332-UNV-GI-CUL 2x4 THREE-LAMP RECESSED FLUORESCENT LIGHT FIXTURE (RECESSED IN-LAY GRID).		KITCHEN AREA
	LOL MODEL XP2GVA26UNVCA 2x2 U-G LAMP RECESSED FLUORESCENT LIGHT FIXTURE (RECESSED IN LAY IN GRID)		BEHIND BULKHEAD
	METALLUX MODEL 2M2U6T81 20E881U 2X2 U-G LAMP SURFACE MOUNT FLUORESCENT LIGHT FIXTURE (GYP BOARD CEILING)		RESTROOMS
T8	LOL6002BK (8'-0" TRACK)	INSTALL @ 10'-0" A.F.F. (ADJUST FOR EXISTING CONDITIONS)	
T4	LOL6001BK (4'-0" TRACK)	INSTALL @ 10'-0" A.F.F. (ADJUST FOR EXISTING CONDITIONS)	

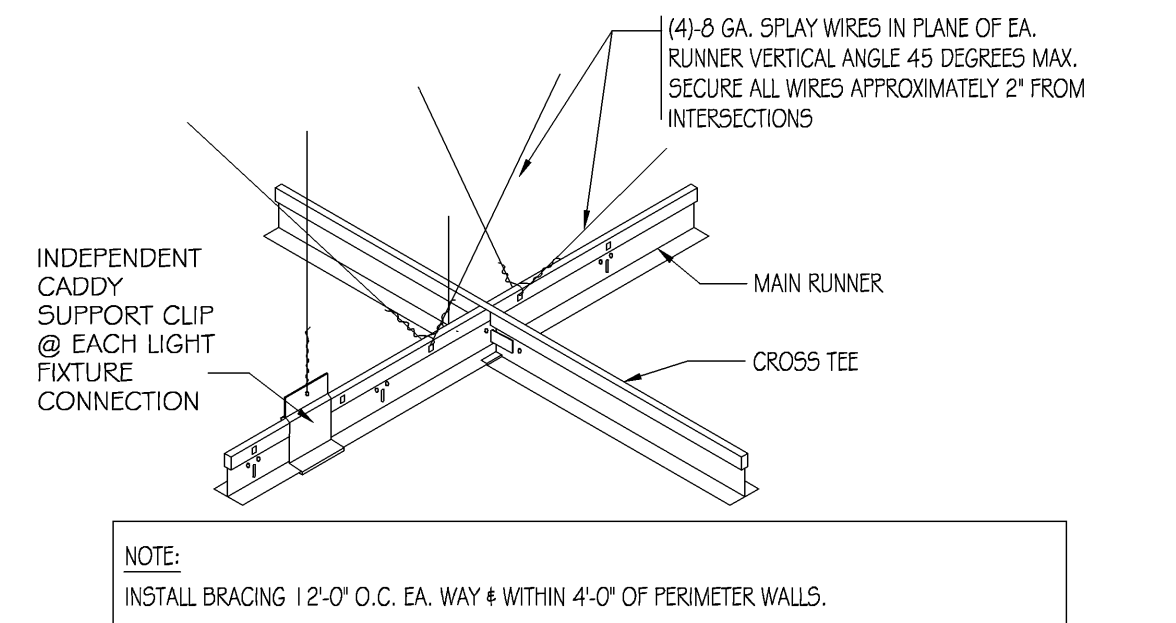
NOTE: NOT ALL LIGHT FIXTURES SHOWN IN SCHEDULE ARE USED. E.C. TO CONTACT VILLA LIGHTING - JAY BECKER - 800-325-0963 TO RECEIVE CORPORATE PRICING FOR LIGHTING PACKAGE.

CODED NOTES

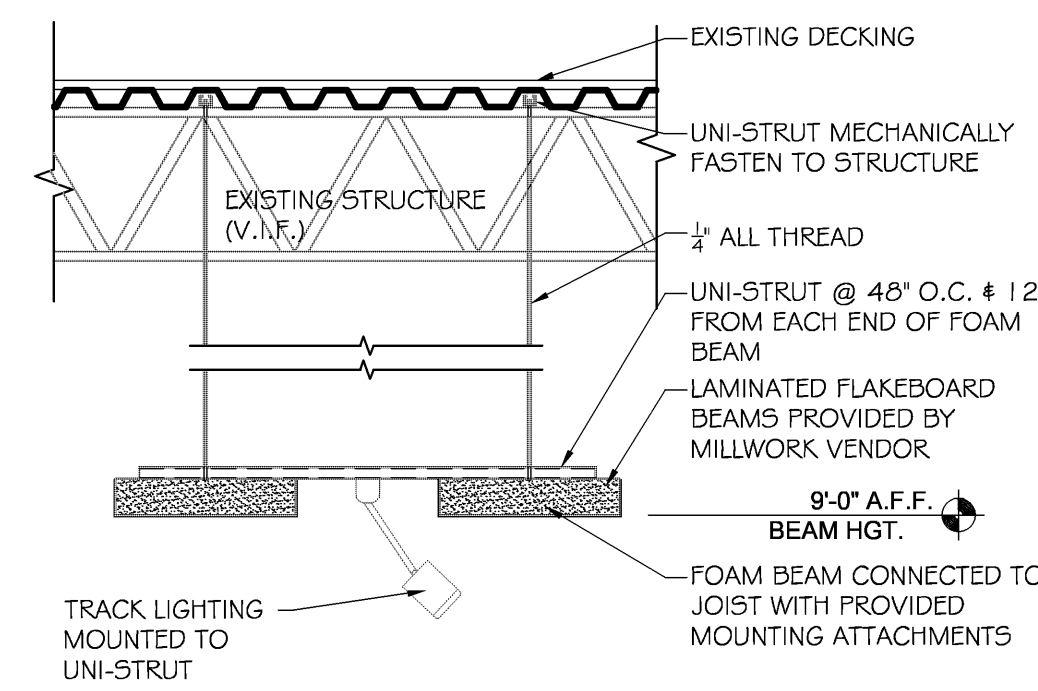
- AUDIO SPEAKER - COORDINATE LOCATION AND INSTALLATION WITH VENDOR - MOUNT SPEAKERS AT 12'-0" A.F.F.
- HVAC CONTRACTOR TO INSTALL EXHAUST HOODS PER LOCAL CODES AND REQUIREMENTS. INSTALL REQUIRED LIGHTS IN HOOD - SEE MECHANICAL DRAWINGS
- RESTROOM EXHAUST FAN - SEE MECHANICAL PLANS
- G.C. TO WALL MOUNT T.O. TV MOUNTING BRACKET AT 10'-0" A.F.F. - WALL MOUNT SUPPLIED BY KES 15 VIZIO VMA3145 COORDINATE WALL BLOCKING REQUIREMENTS WITH MANUFACTURER - COORDINATE FINAL LOCATION WITH GDOBBA C.M. - TV TO BE PROVIDED BY VENDOR AND INSTALLED BY G.C.

CEILING FINISH SCHEDULE (October 1, 2009)

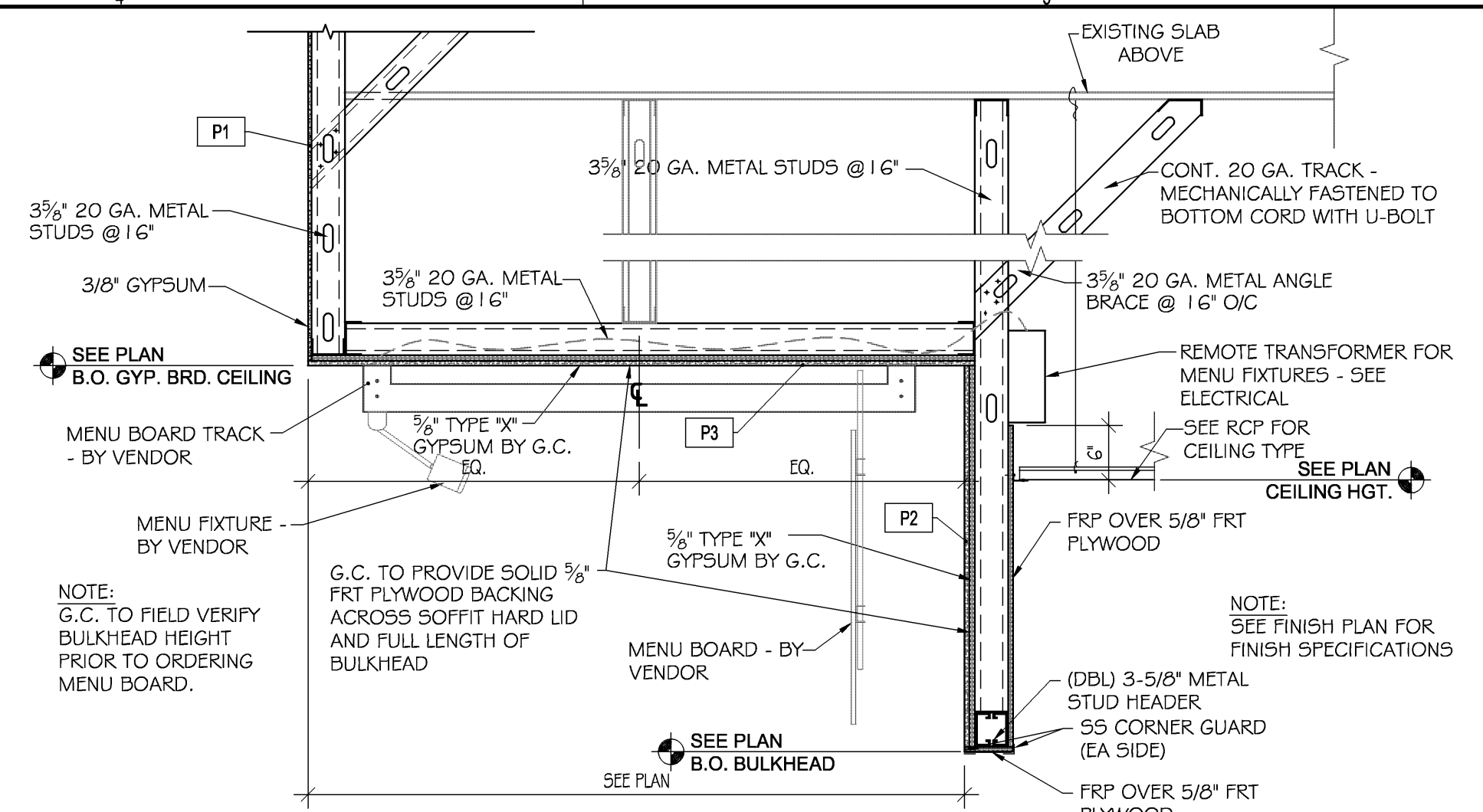
DESCRIPTION	LOCATION(S)	NOTES
C1 Mfg: USG or Equal Material: 24"x48" Sheetrock Lay-in Ceiling Color: White Finish: Vinyl Faced, Smooth - Climplus #3270	Food Prep	Contact: James Carey (800) 365-5874 x6726 Grid: 15/16" Donn DX/DXL, White - Install At 9'-6" A.F.F. Unless Noted Otherwise
C2 Mfg: USG or Equal Material: Premiere Hi-Lite Climplus Kapok Clg Tile Color: Black Finish: Vinyl Faced, perforated	Dining Room (Alternate)	Contact: James Carey (800) 365-5874 x6726 Grid: 15/16" Donn DX/DXL, Black - Above Front Service Counter and Alternate Lay-In Dining Room Ceiling
C3 Standard: Exposed Ceiling to Existing Roof Structure Above - #720 Fiber-Lite or Equal - Paint Color P-1 Alternate: Paint Sherwin Williams BONDPLEX Industrial MARINE Coating, WATER-BORN, #B71T2Q4 - Black	Dining Room	G.C. to use alternate part, if paint will not stick to deck - V.I.F.
C4 Ceiling: USG or Equal Material: 24"x24" Acoustical Ceiling Tile Color: 246 Mania Finish: Frost Climplus FL, Beveled Tegular, #4114	Restroom Corridor unless noted as Gyp.	Contact: James Carey (800) 365-5874 x6726 Grid: 9/16" Centricite DXT, 246 Mania Install at 8'-0" A.F.F. - U.N.O. - SOLID BACKING REQUIRED AT SERVING LINE SOFFIT
C5 Ceiling: Install Gyp. Brd. Ceiling Color: Paint P-3 U.N.O.		



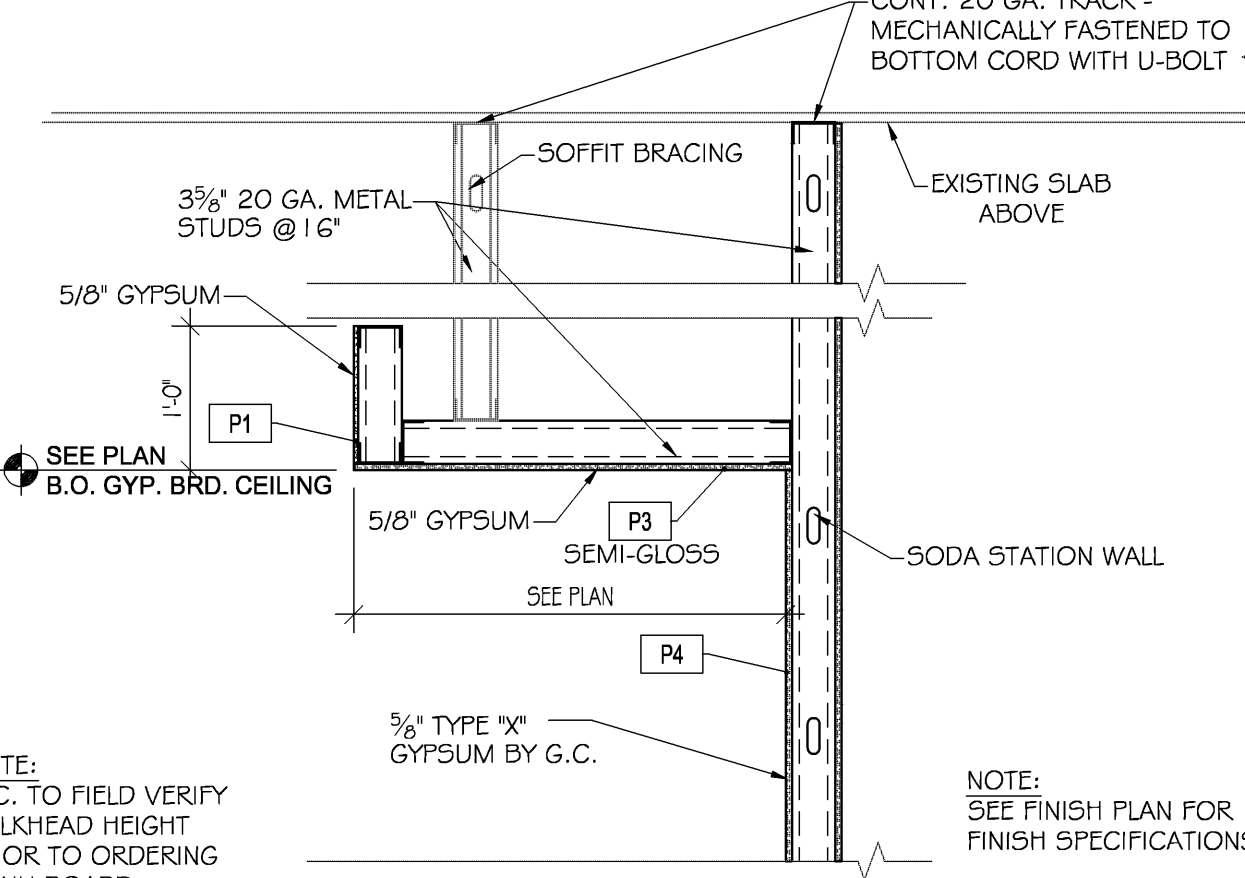
C1 TYP. SUSPENDED CEILING DTL Scale: N.T.S.



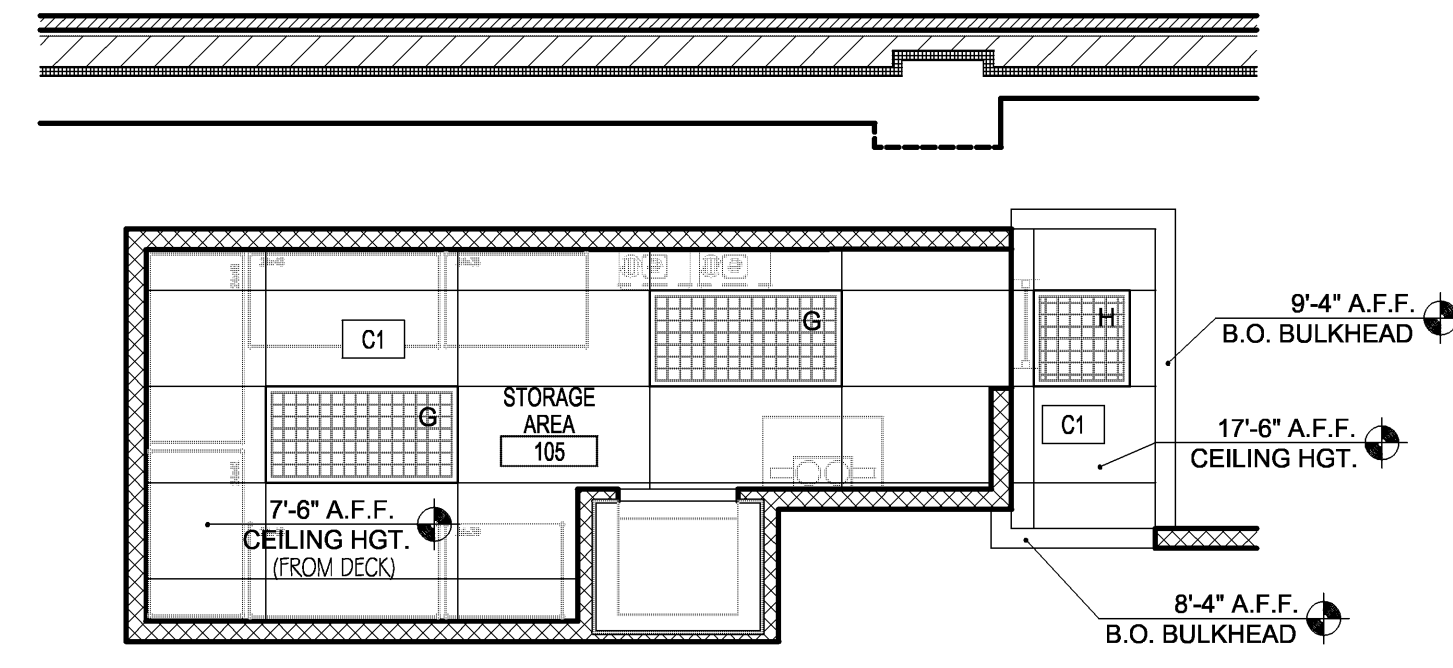
D3 TYP. SOFFIT BEAM DETAIL Scale: 3/4" = 1'-0"



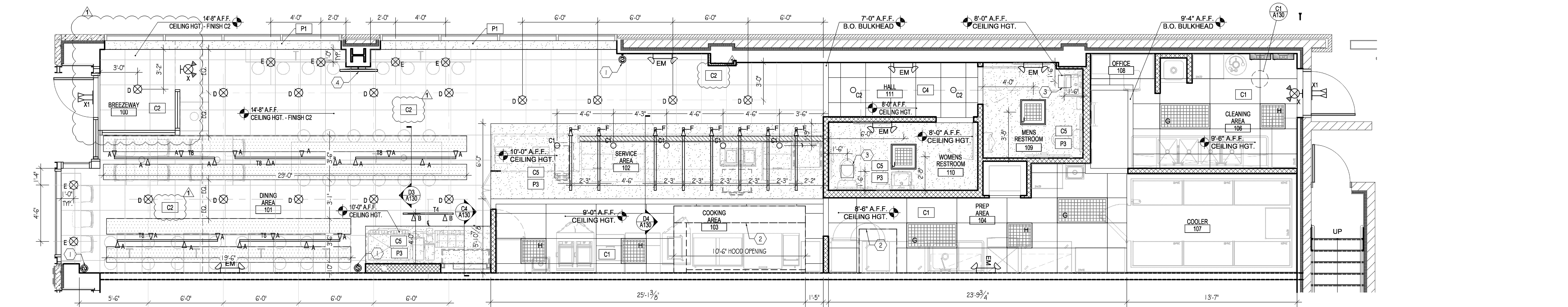
D4 BULKHEAD @ MENUBOARD DETAIL Scale: 3/4" = 1'-0"



C4 BULKHEAD @ SODA STATION DETAIL Scale: 3/4" = 1'-0"

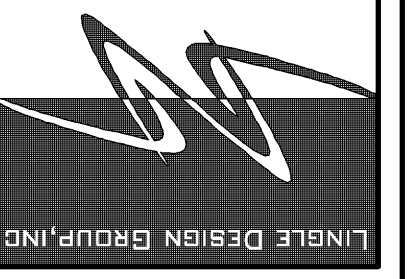


Z STORAGE AREA REFLECTED CEILING PLAN Scale: 1/4" = 1'-0"



REFLECTED CEILING PLAN Scale: 1/4" = 1'-0"

LINLEDESIGNGROUP, INC.
WEST MAIN STREET
LENA, IL 61048 158
PHONE: 815-369-9155
FAX: 815-369-4495
WWW.LINLEDESIGN.COM



ALL DRAWINGS AND WRITTEN MATERIAL CONTAINED HEREIN ARE THE PROPERTY OF THE ARCHITECT. THEY MAY NOT BE REPRODUCED, COPIED, REUSED, OR DISCLOSED IN ANY MANNER WITHOUT WRITTEN AUTHORIZATION FROM THE ARCHITECT.

Qdoba MEXICAN GRILL
20 E. Chicago Avenue
Chicago, IL 60611-2009

REVISIONS:

#	DATE:	DESCRIPTION:
1	1/8/10	ISSUED FOR PERMIT
2	1/18/10	ISSUED FOR PERMIT

PROJECT NUMBER: 08-118
DRAWN BY: SRM
CHECKED BY: JTC

SHEET TITLE:
REFLECTED CEILING PLAN

SHEET NUMBER:
A130