



ALL DRAWINGS AND WRITTEN MATERIAL CONTAINED HEREIN ARE THE PROPERTY OF THE ARCHITECT. THEY MAY NOT BE REPRODUCED, COPIED, REUSED, OR DISCLOSED IN ANY MANNER WITHOUT WRITTEN AUTHORIZATION FROM THE ARCHITECT.

**Qdoba MEXICAN GRILL**  
 20 E. Chicago Avenue  
 Chicago, IL 60611-2009

REVISIONS:	DESCRIPTION:	DATE:	ISSUED FOR PERMIT
#		1/8/10	

PROJECT NUMBER: 08-116  
 DRAWN BY: SRM  
 CHECKED BY: JTC

SHEET TITLE:  
**ENLARGED RESTROOM PLAN**

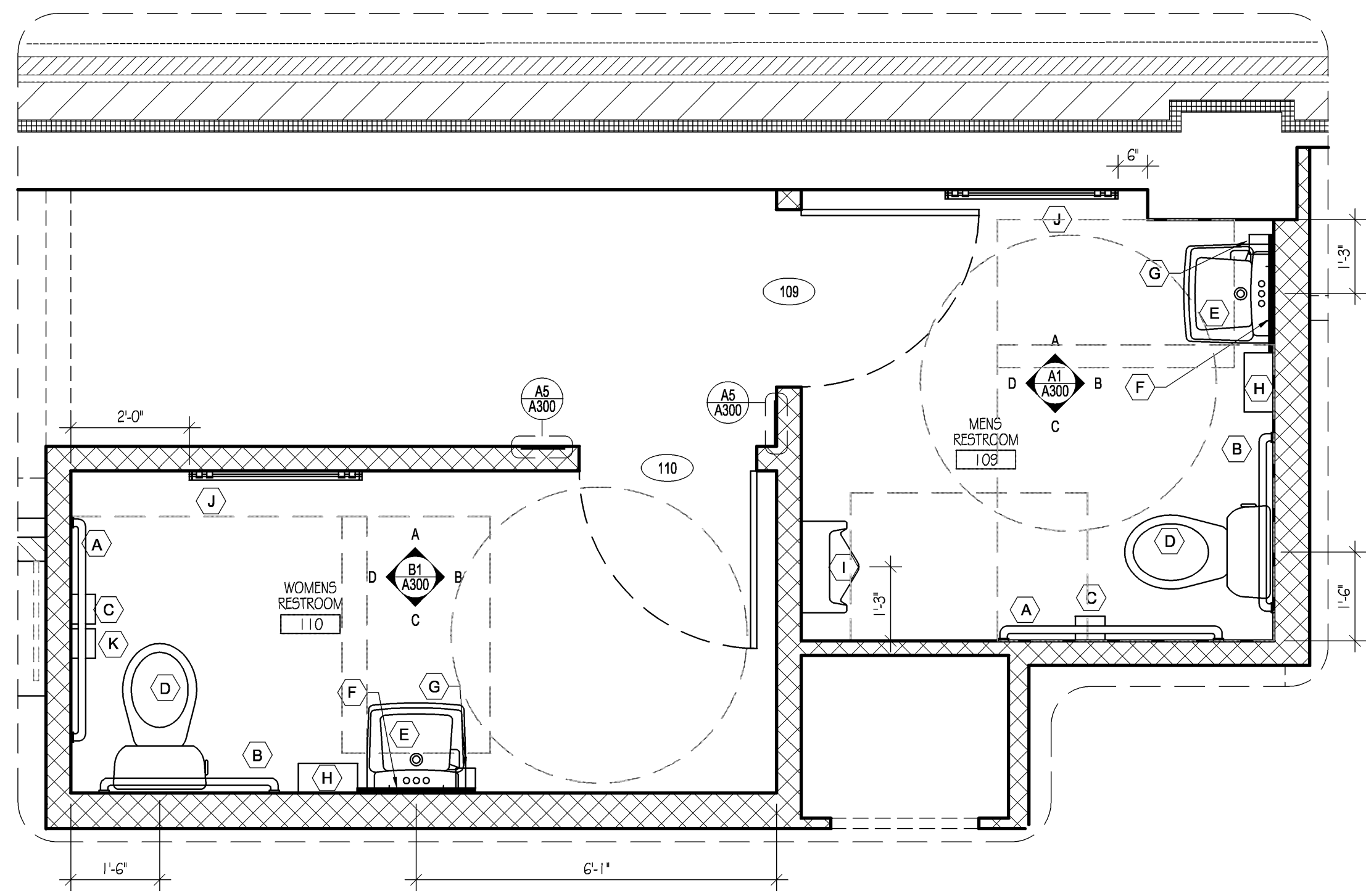
SHEET NUMBER:  
**A300**

**RESTROOM FIXTURE SCHEDULE**

TAG	DESCRIPTION	MANUFACTURER	MODEL NUMBER	REMARKS	FURNISHED	INSTALLED
A	42" HORIZONTAL GRAB BAR	BOBRICK	EXPOSED MOUNTING SERIES B-6106	(1) 2X6'S 4'-0" LONG CENTER MOUNTED @ 33" A.F.F. TO CENTER OF SUPPORT GRAB BAR.	G.C.	G.C.
	18" VERTICAL GRAB BAR	BOBRICK	EXPOSED MOUNTING SERIES B-6106	2X6 WOOD BLOCKING FOR 18" VERTICAL GRAB BAR.	G.C.	G.C.
B	36" HORIZONTAL GRAB BAR	BOBRICK	EXPOSED MOUNTING SERIES B-6106	(1) 2X6'S 4'-0" LONG CENTER MOUNTED @ 33" A.F.F. TO CENTER OF SUPPORT GRAB BAR.	G.C.	G.C.
C	TOILET TISSUE DISPENSER	BY DISTRIBUTOR	MATRIX SERIES B-52891	(2) 2X6'S 2'-6" LONG (1) MOUNTED @ 44" A.F.F., (1) @ 53" A.F.F. TO CENTER OF SUPPORT (HANDICAPPED STALL TISSUE DISPENSER)	OWNER	G.C.
D	WATER CLOSETS	AMERICAN STANDARD BARRIER FREE	CADET ELONGATED MODEL 2998.012, WHITE		G.C.	G.C.
	WATER CLOSET SEATS	OLSONITE	COMFORT CURVE - MODEL 9555, BLACK		G.C.	G.C.
E	LAVATORIES	AMERICAN STANDARD	LUCERNE WALL-HUNG - MODEL 0355.012, WHITE	(1) 2X6 WALL TO WALL 3'-7" MOUNTED @ 30" A.F.F. TO CENTER OF SUPPORT (LAVATORIES)	G.C.	G.C.
F	ANGLE FRAME MIRROR	BOBRICK	SERIES B-165 2436		G.C.	G.C.
G	SOAP DISPENSER	BY DISTRIBUTOR	MATRIX SERIES B-5050		OWNER	G.C.
H	ROLL PAPER TOWEL DISPENSER	BY DISTRIBUTOR	MATRIX SERIES B-52860	(1) 2X10 1'-4" LONG MOUNTED @ 48" A.F.F. TO CENTER OF SUPPORT (PAPER TOWEL DISP.)	OWNER	G.C.
I	URINAL	AMERICAN STANDARD	LYNBROOK 6601.012 TOP SPUD, WHITE	(2) 2X6 2'-6" LONG (1) MOUNTED @ 1'0" A.F.F. AND (1) MOUNTED @ 30" A.F.F. TO CENTER OF SUPPORT (URINAL)	G.C.	G.C.
J	BABY CHANGING STATION	BY DISTRIBUTOR	HORIZONTAL UNIT		OWNER	G.C.
K	SANITARY NAPKIN DISPOSER	BOBRICK			OWNER	G.C.
L	COAT HOOK		COORDINATE WITH QDOBA C.M.	LOCATE ON RESTROOM DOOR AT 5'-0" A.F.F.	G.C.	G.C.
M	PROTECTIVE PLUMBING COVERS	TRUBRO LAV-GUARD	103 WHITE		OWNER	G.C.

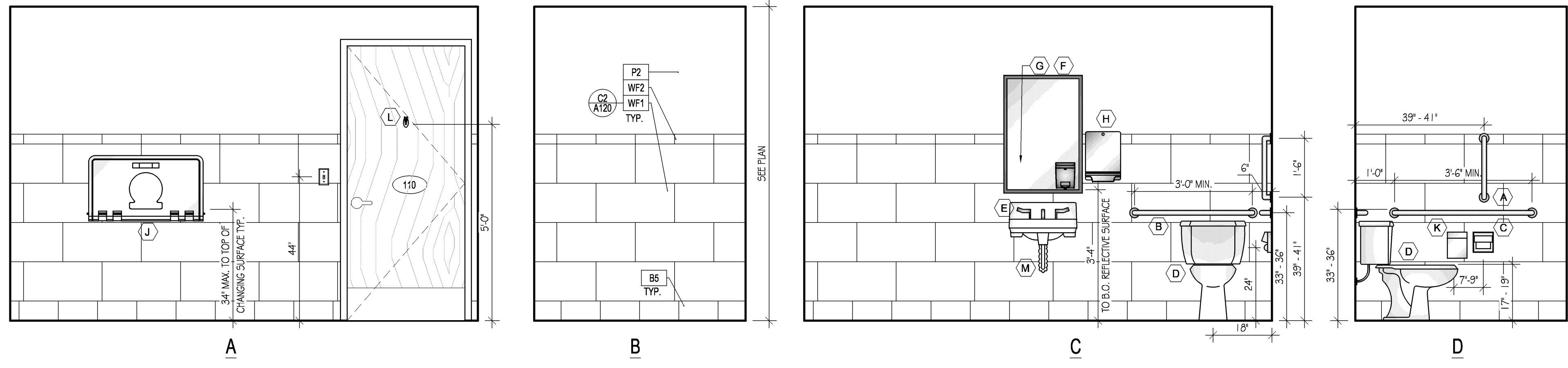
NOTE: ALL FIXTURES & ACCESSORIES MUST MEET ALL NATIONAL AND LOCAL CODES AND ADA REQUIREMENTS. PROVIDE SOLID FIRE TREATED BLOCKING AT ALL WALL MOUNTED FIXTURES FOR SECURE ANCHORING, VERIFY LOCATION WITH MANUFACTURERS SPECIFICATIONS. CLEAR SILICONE CAULK ALL FIXTURES TO PARTITION.

- NOTES:
- SEE SHEET A110 FOR DIMENSIONS.
  - USE MOISTURE RESISTANT GYPSUM BOARD AT WALLS BEHIND PLUMBING FIXTURES.
  - PROVIDE BATT INSULATION IN WALLS WHERE SCHEDULED ON SHEET A110.
- ### DOOR TAG - SEE DOOR SCHEDULE ON SHEET A400  
 P# FINISH TAG - SEE FINISH SCHEDULE ON SHEET A120



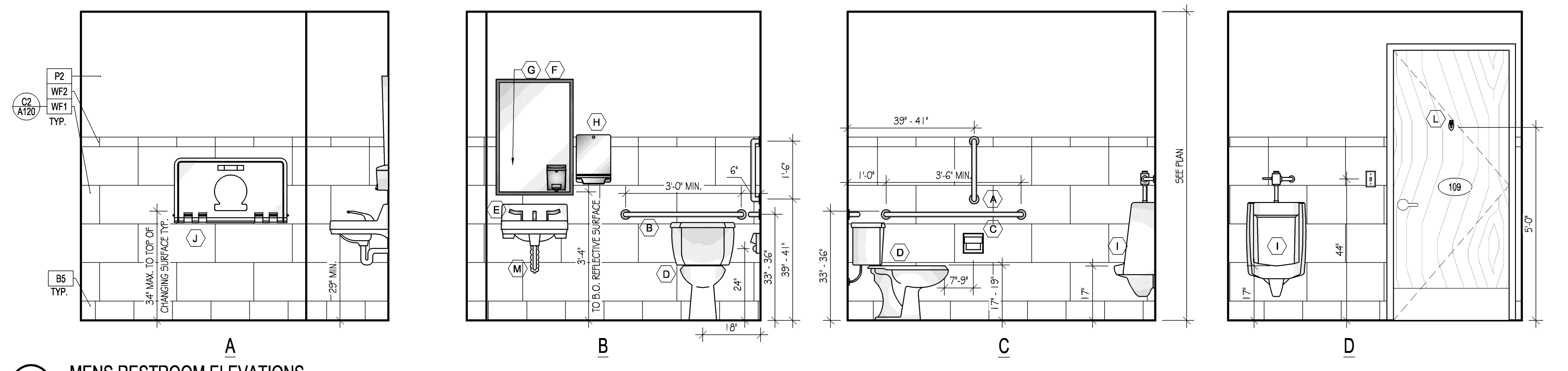
**C1** ENLARGED RESTROOM PLAN

Scale: 1/2" = 1'-0"



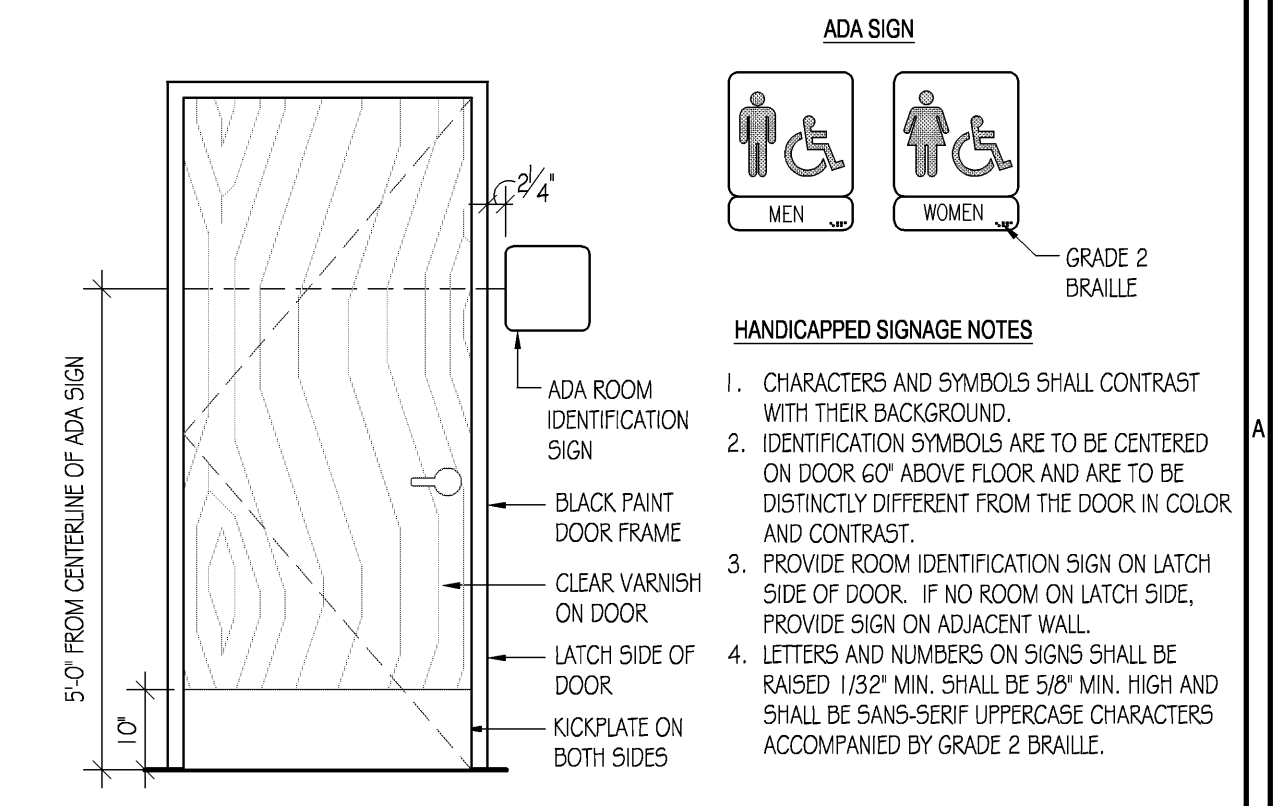
**B1** WOMENS RESTROOM ELEVATIONS

Scale: 1/2" = 1'-0"



**A1** MENS RESTROOM ELEVATIONS

Scale: 1/2" = 1'-0"



**A5** RESTROOM SIGNAGE DETAIL

Scale: 1/2" = 1'-0"