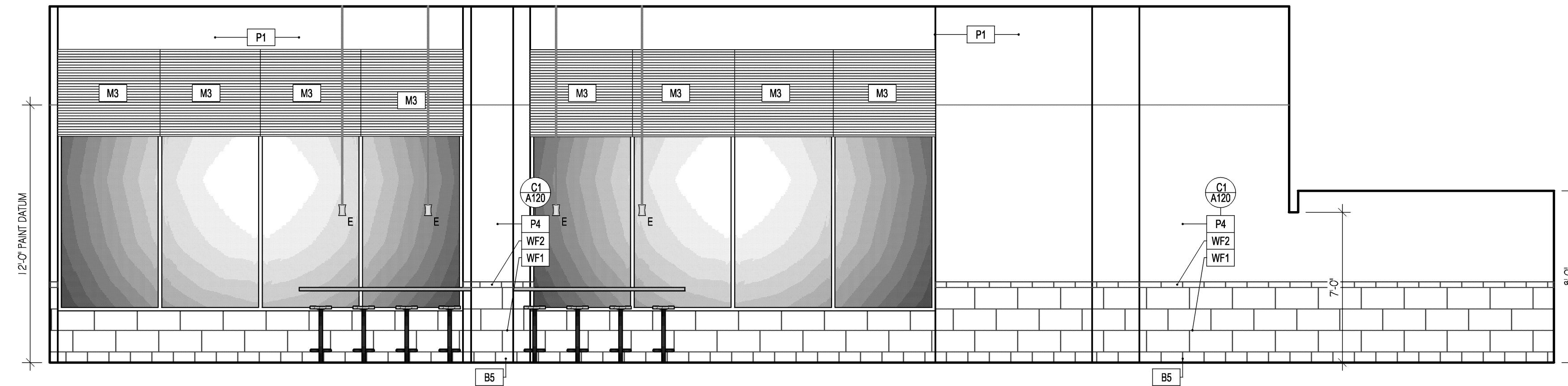
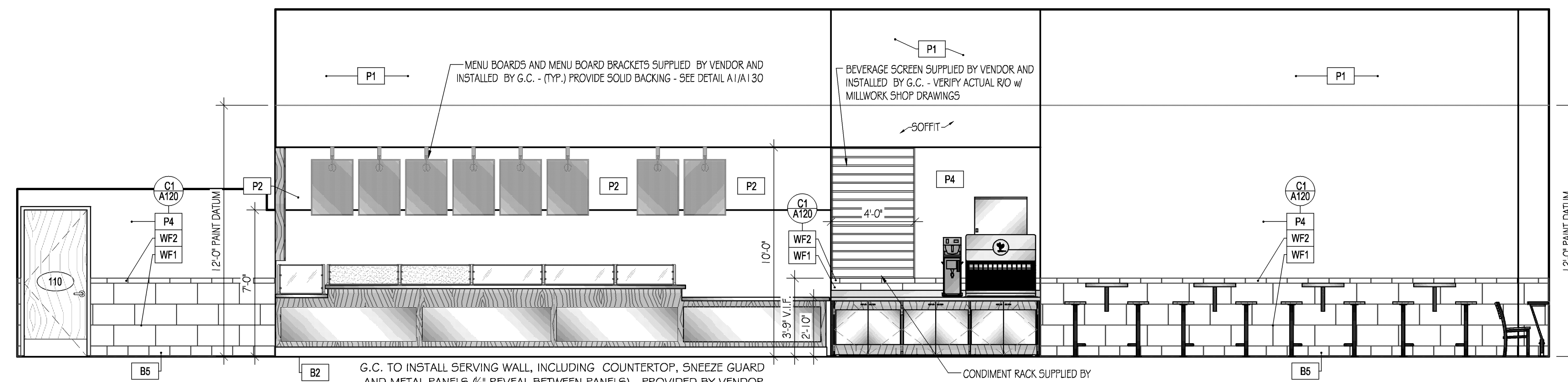


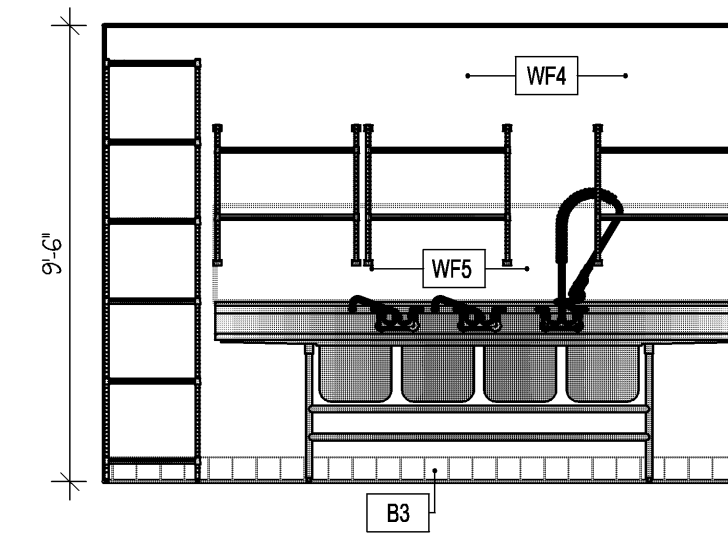
D1 ELEVATION @ BREEZEWAY (100) & DINING AREA (101)
Scale: 1/4" = 1'-0"



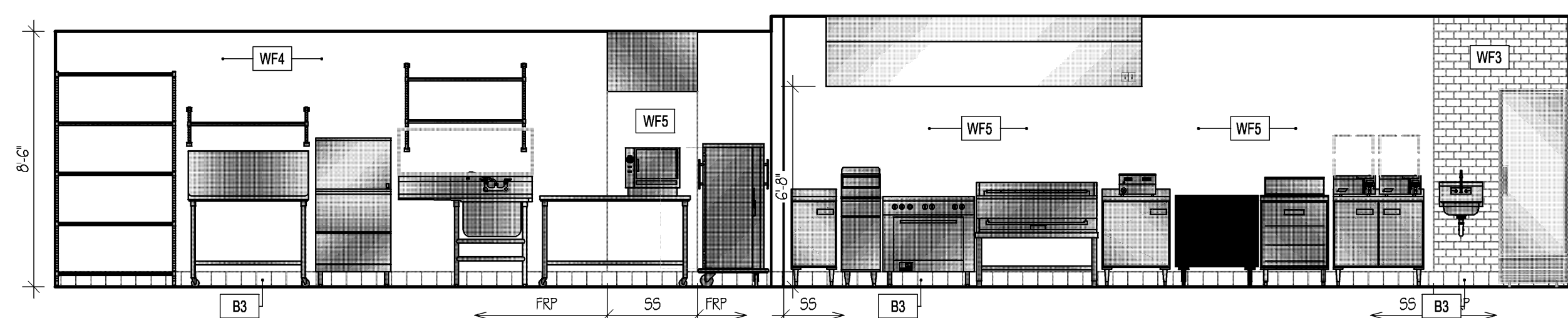
D2 ELEVATION @ RESTROOM HALL (111) & DINING (101)
Scale: 1/4" = 1'-0"



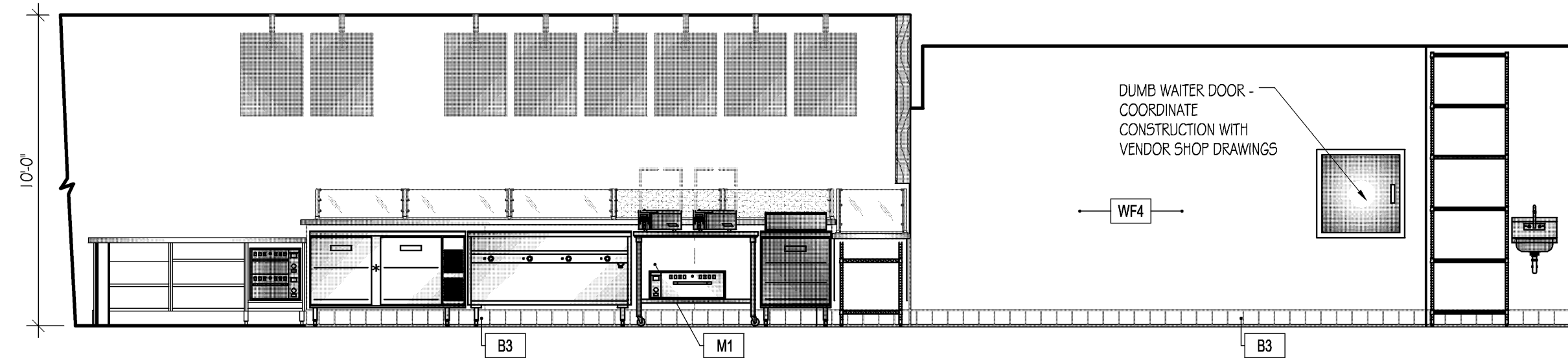
C1 ELEVATION @ QUEUE LINE WALL (101), RESTROOM HALL (111) & DINING AREA (101)
Scale: 1/4" = 1'-0"



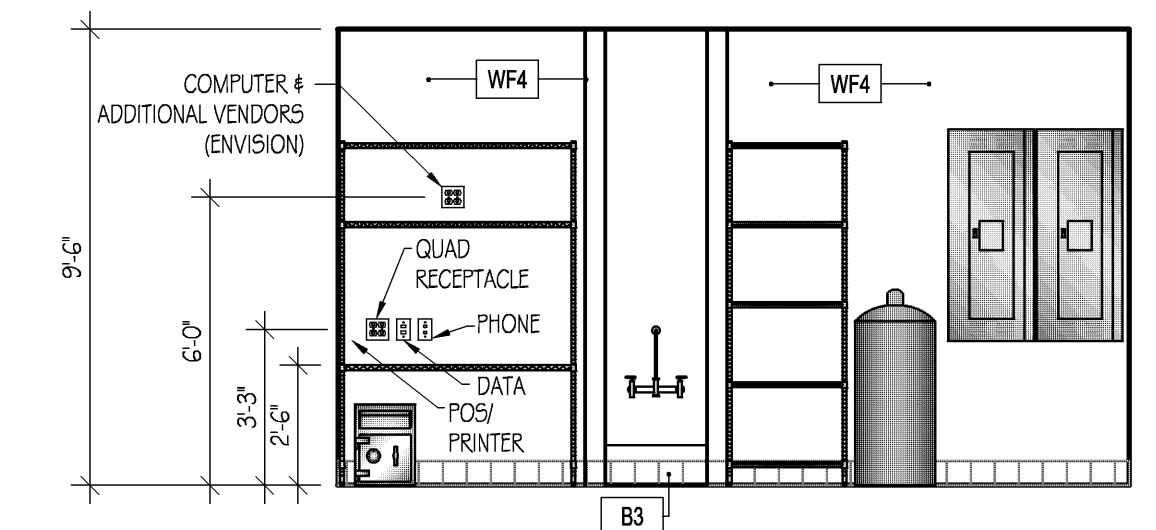
C4 ELEVATION @ CLEANING AREA (106)
Scale: 1/4" = 1'-0"



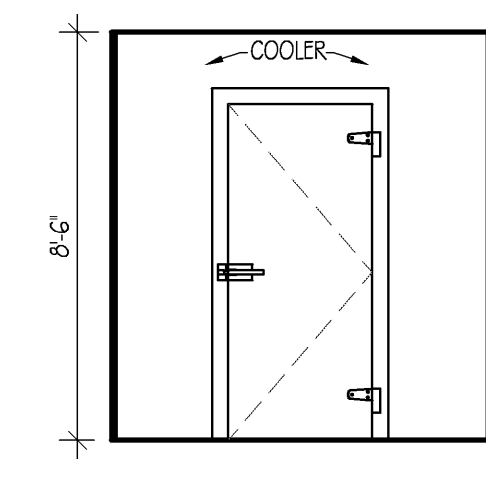
B1 ELEVATION @ COOKING AREA (103) & PREP AREA (104)
Scale: 1/4" = 1'-0"



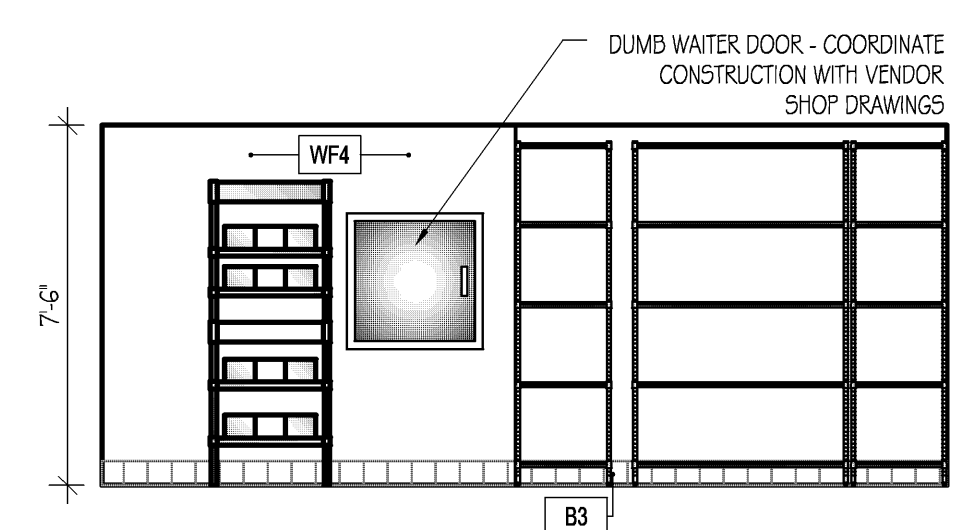
B3 ELEVATION @ PREP AREA (104) & SERVICE AREA (102)
Scale: 1/4" = 1'-0"



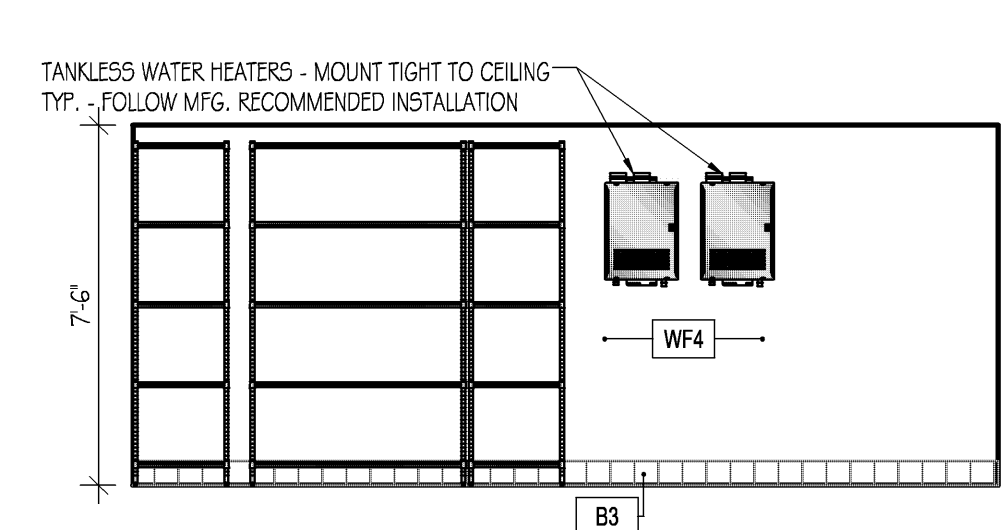
A1 ELEVATION @ OFFICE (108) & MOP SINK
Scale: 1/4" = 1'-0"



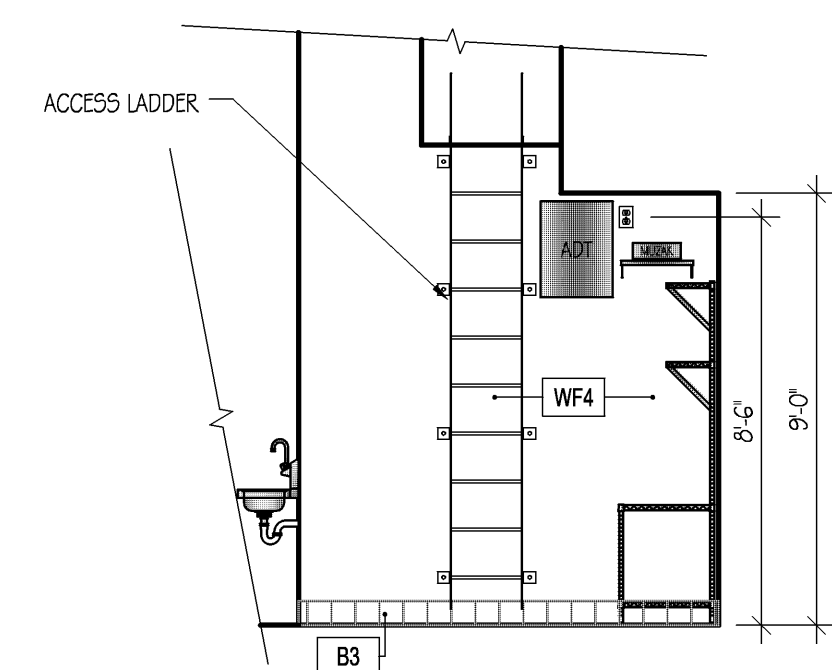
A2 ELEVATION @ COOLER
Scale: 1/4" = 1'-0"



A3 ELEVATION @ STORAGE AREA (105)
Scale: 1/4" = 1'-0"

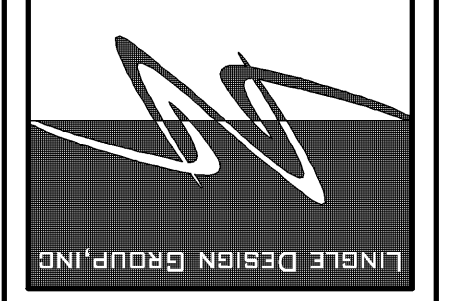


A4 ELEVATION @ STORAGE AREA (105)
Scale: 1/4" = 1'-0"



A5 ELEVATION @ OFFICE (108)
Scale: 1/4" = 1'-0"

LINGLEDISIGNGROUP, INC.
WEST MAIN STREET
LENA, IL 61048 158
PHONE: 815-369-9155
FAX: 815-369-4495
WWW.LINGLEDISIGN.COM



ALL DRAWINGS AND WRITTEN MATERIAL CONTAINED HEREIN ARE THE PROPERTY OF THE ARCHITECT. THEY MAY NOT BE REPRODUCED, COPIED, REUSED, OR DISCLOSED IN ANY MANNER WITHOUT WRITTEN AUTHORIZATION FROM THE ARCHITECT.

Qdoba
MEXICAN GRILL
20 E. Chicago Avenue
Chicago, IL 60611-2009

REVISIONS:	DESCRIPTION:
#	DATE: 1/8/10
	ISSUED FOR PERMIT

PROJECT NUMBER: 08-116
DRAWN BY: SRM
CHECKED BY: JTC

SHEET TITLE:
INTERIOR ELEVATIONS

SHEET NUMBER:
A200